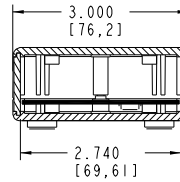
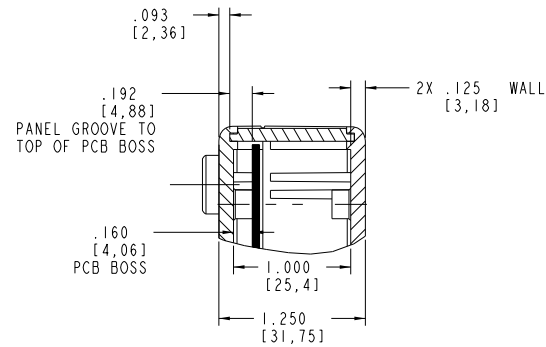
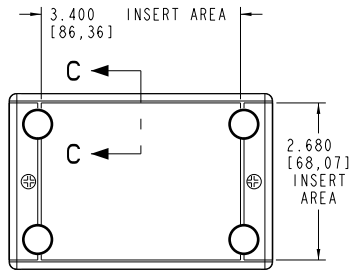


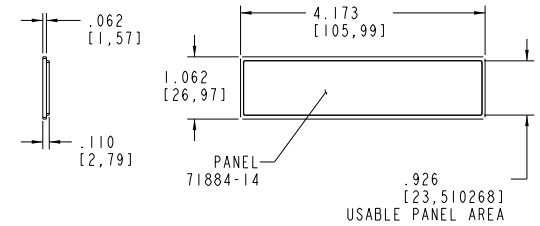
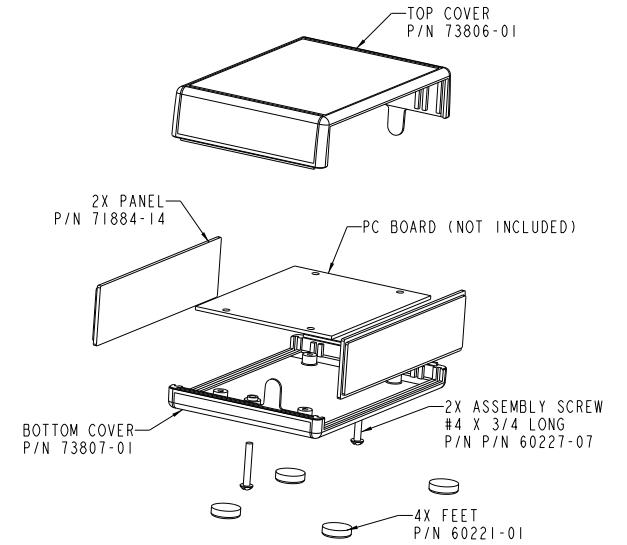
SECTION A-A



SECTION B-B



SECTION C-C
SCALE 2.000



PACINTEC®
1-610-361-4200

LH 34/43-100

COLOR / MATERIAL CODE	
COLOR	94HB 94VO
BLACK	000 028
P.C. BONE	039 060

DRAWING NUMBER	REV
77240	A