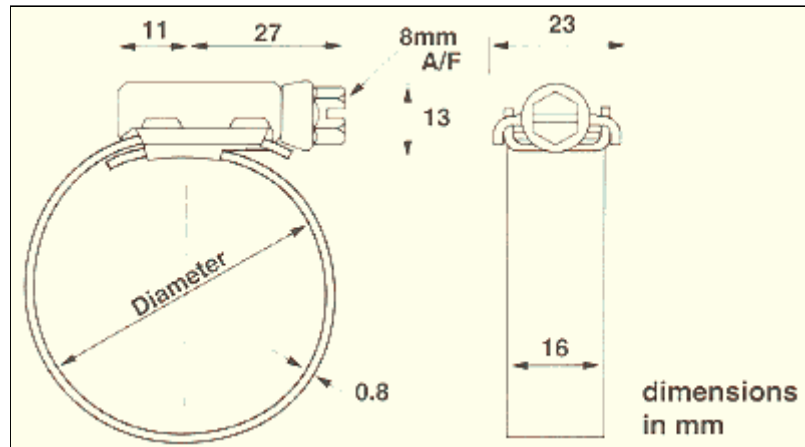


Technical Specification**Material Specification****Standard (A2) Range (HTM...)**

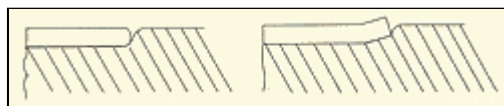
All parts BS/AISI 304 - EN 1.4301

Special 316 (A4) Range (HTJ...)

All parts BS/AISI 316 - EN.1.4401

Band Tensile Strength = approx 1100 N/mm² (70 Tons/in²)

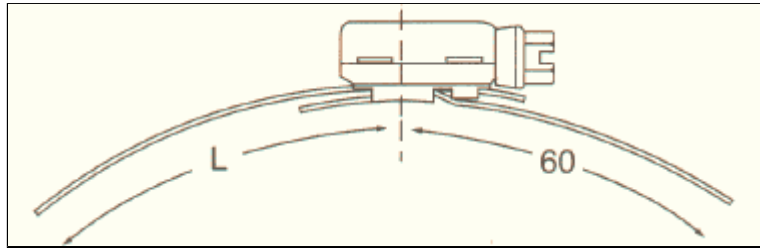
Recommended Setting Torque = 15Nm (130 lb.in)

HI-TORQUE BAND EDGES

HI-TORQUE Band Typical Hose
Edges Clip with
 turned up
 edges

All HI-TORQUE STAINLESS hose clips have fully rounded edges to give the best possible protection to the hose

HI-TORQUE STRAPS



Strap Size	Linear Adjustment	Dia Adj	Length L
0	62	20	100
1	94	30	136
2	125	40	164

HI-TORQUE STANDARD RANGE

Size	Dia (mm)	Dia (ins)	Box Quantity
27	20-27	3/4 - 1.1/8	100
30	20-30	3/4 - 1.1/4	100
35	20-35	3/4 - 1.3/8	100
40	25-40	1 - 1.5/8	100
(45)	25-45	1 - 1.3/4	100
50	30-50	1.1/4 - 2	100
60	40-60	1.5/8 - 2.3/8	100
(65)	45-65	1.3/4 - 2.1/2	100
70	50-70	2 - 2.3/4	100
80	60-80	2.3/8 - 3.1/8	100
90	70-90	2.3/4 - 3.1/2	100
(95)	75-95	3 - 3.3/4	100
100	80-100	3.1/8 - 4	100
120	90-120	3.1/2 - 4.3/4	50
140	110-140	4.3/8 - 5.1/2	50
160	130-160	5.1/8 - 6.1/4	50
180	150-180	5.7/8 - 7	50
200	170-200	6.3/4 - 7.7/8	25
220	190-220	7.1/2 - 8.5/8	25
240	210-240	8.1/4 - 9.1/2	25
260	230-260	9 - 10.1/4	25
280	250-280	9.7/8 - 11	25
300	270-300	10.5/8 - 11.3/4	25
320	290-320	11.3/8 - 12.1/2	25
340	310-340	12.1/4 - 13.3/8	25
360	330-360	13 - 14.1/8	25
380	350-380	13.3/4 - 15	25
400	370-400	14.1/2 - 15.3/4	25
420	390-420	15.3/8 - 16.1/2	25
440	410-440	16.1/8 - 17.1/4	25
460	430-460	17 - 18.1/8	25
480	450-480	17.3/4 - 18.7/8	25
500	470-500	18.1/2 - 19.5/8	25

() Not required for a complete range but useful intermediate sizes for popular hoses. Larger diameter and clamps with greater adjustment to order.