

FEATURES AND SPECIFICATIONS

Features and Benefits

- Double action push-style button offers space savings and easy eject
- Modular design snaps easily onto header
- Low-profile design
- Lever design provides for smooth card extraction

Reference Information

Product specification: Contact Molex

Packaging: Tray

Use With: [55359](#) header

Designed In: Millimeters

Physical

Metal Shell: Stainless Steel

Push Rod: Stainless Steel

Lever: Stainless Steel

Side Plate: Stainless Steel

Side Cover: Stainless Steel

Pin Plate: Steel

Slider: Black Polycarbonate, UL 94V-0

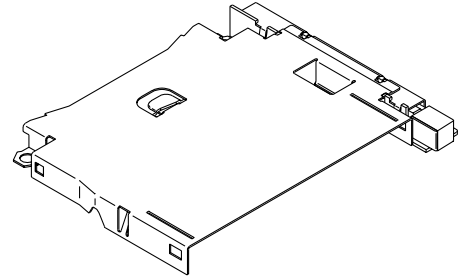
Heat Cam: Black Polycarbonate, UL 94V-0

Coil Spring: Stainless Steel

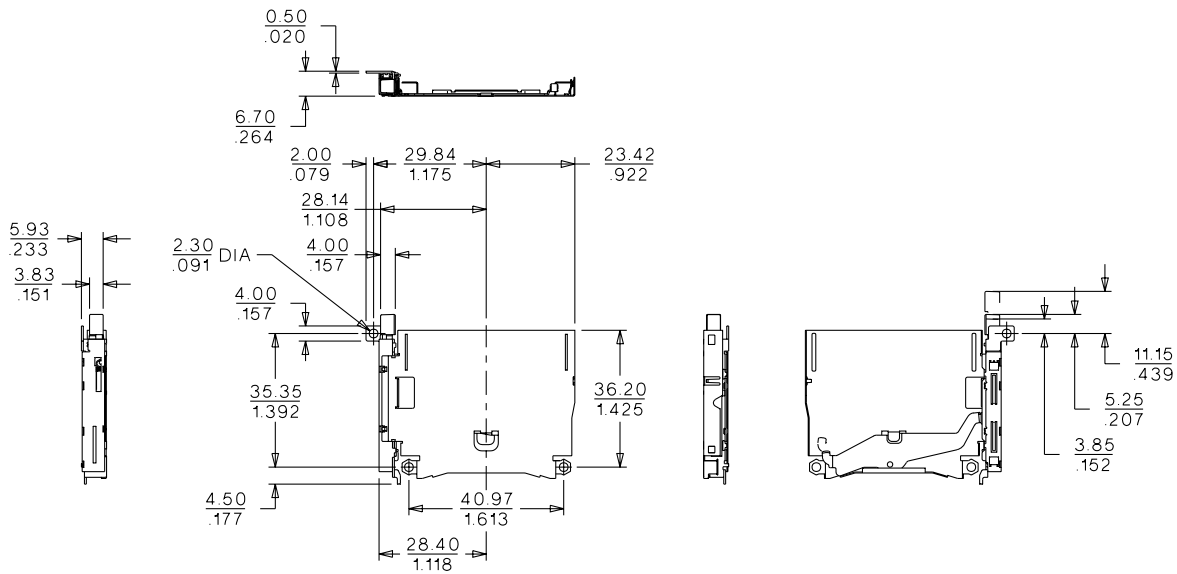
molex® 1.27mm (.050") Pitch CF Card Ejector

55365

Right Side Button Push-Push Type



CATALOG DRAWING (FOR REFERENCE ONLY)



ORDERING INFORMATION

Order No.
55365-0011

*Note: 55365 can only be used with 55359, which is a bottom-mount header.
In this application, the button will be on the left side.