

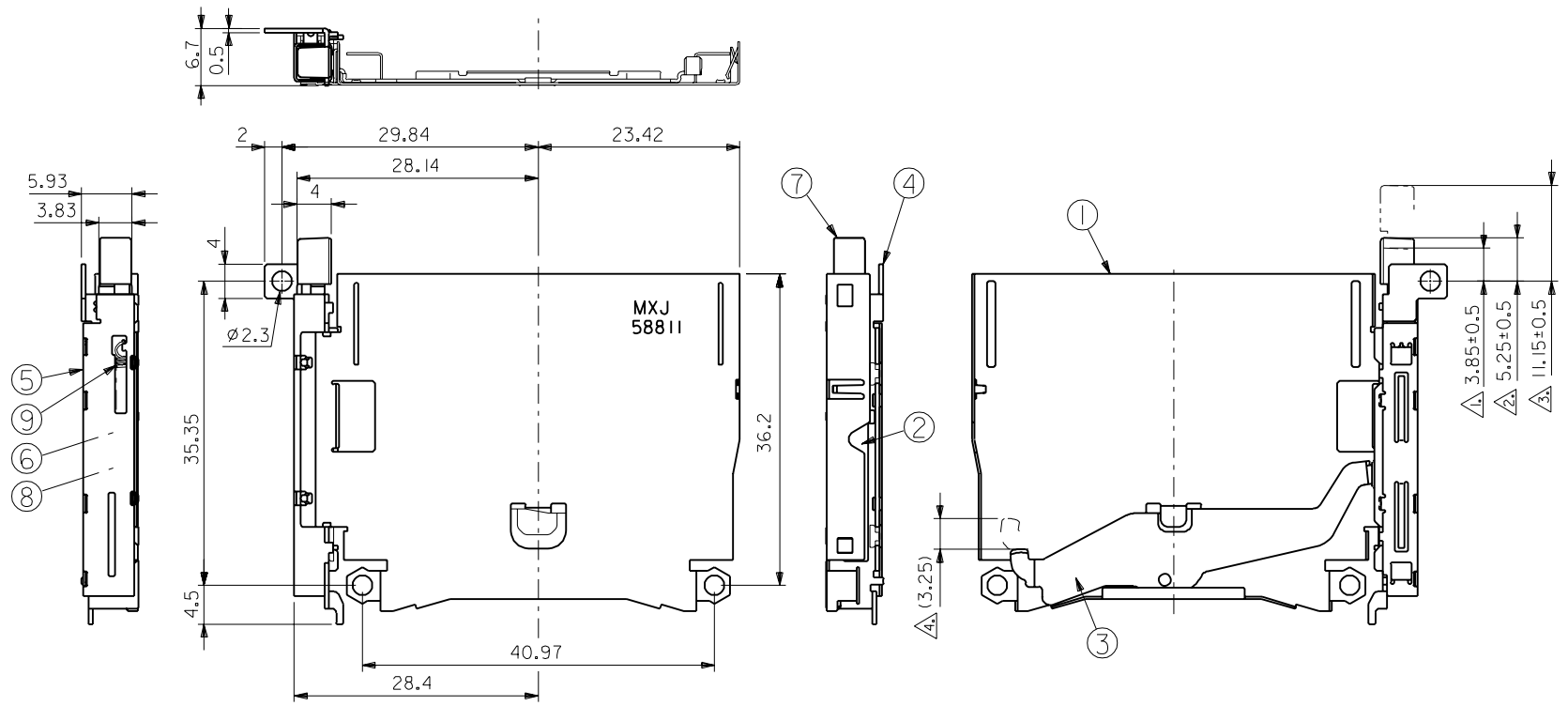
EC NO. DRWN: CHK: APPR:	EC NO. DRWN: CHK: APPR:	EC NO. DRWN: CHK: APPR:	EC NO. DRWN: CHK: APPR:	RELEASED EC NO. JD90381 DRWN: THIRATA '98/09/09 CHK: MSASAO '98/09/08 APPR: HIKESUGI '98/09/09
REV	DESCRIPTION	MATERIAL 材料	FINISH 仕上り	SEE NOTES
0	INS. RANGE 被覆外径	— # —	— # —	SEE NOTES

GENERAL TOLERANCES: (UNLESS SPECIFIED) 一般公差	SCALE 2 - 1	DESIGN UNITS <input checked="" type="checkbox"/> mm <input type="checkbox"/> INCH	THIRD ANGLE PROJECTION	DIMENSIONS: <input type="checkbox"/> mm <input type="checkbox"/> INCH <input checked="" type="checkbox"/> mm ONLY	SHT REV
10 UNDER 未満	+0.2	DRAWN BY & DATE <i>T. Hirata</i> '98/09/09	TITLE: CF CARD CONN. EJECT MECHANISM EJECT ASS'Y	REVISION ON CAD ONLY	
10 OVER 以上	+0.25	CHECKED BY & DATE <i>H. Sano</i> '98/09/09	APPROVED BY & DATE <i>H. Sano</i> '98/09/09	MATERIAL NO. 55365-0011	
30 OVER 以上	+0.3	CAD FILENAME 55365002.S01	DRAWING NO. SD-55365-002	SHEET NO. 1 OF 2	
ANGLE 角度	+3°	THIS DRAWING CONTAINS INFORMATION THAT IS PROPRIETARY TO MOLEX INCORPORATED AND SHOULD NOT BE USED WITHOUT WRITTEN PERMISSION.			SIZE B

8	7	6	5	4	3	2	1
---	---	---	---	---	---	---	---

注) NOTES

- △1 ボタン・フルストローク位置。
BUTTON'S FULL STROKE POSITION.
- △2 ボタン収納時位置。
BUTTON'S IN POSITION.
- △3 ボタン突出時位置。
BUTTON'S OUT POSITION.
- △4 イジェクト時、カード飛び出し量は(3.25)mm。
IN EJECTING OPERATION, CARD OUT BY (3.25)mm.



DWG. NO. SD-55365-002

E

D

C

B

DO NOT SCALE DRAWING

F

E

D

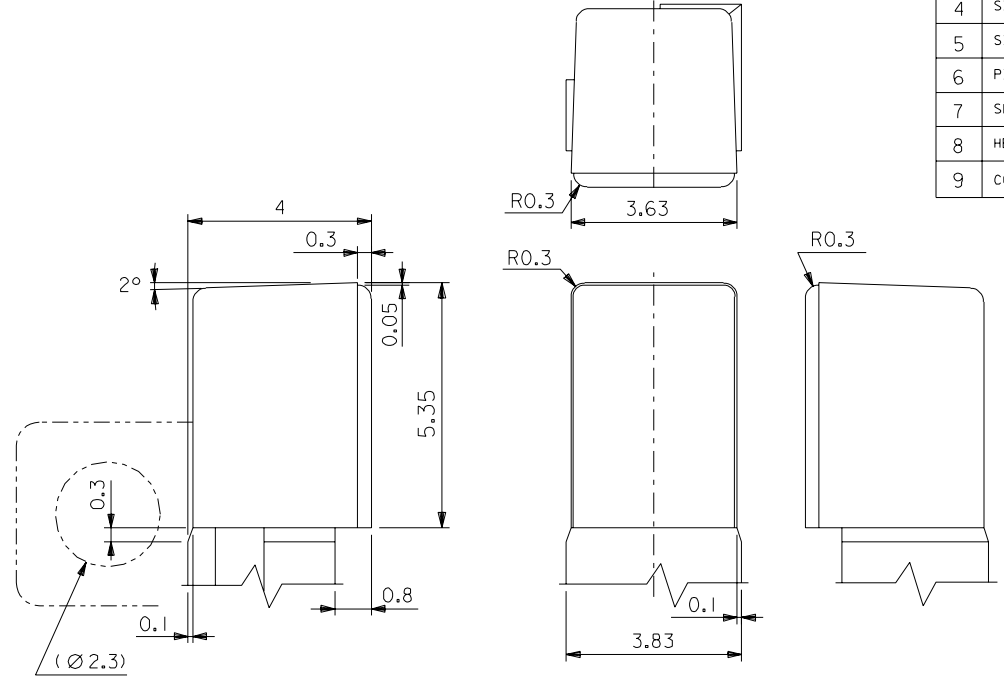
C

B

A

55365002.S02

No.	品名 NAME	材料 MATERIAL	仕上り FINISH	個数 PIECE
1	METAL SHELL	ステンレス鋼 t 0.25 STAINLESS STEEL t 0.25	—	1
2	PUSH ROD	ステンレス鋼 t 0.5 STAINLESS STEEL t 0.5	—	1
3	LEVER	ステンレス鋼 t 0.4 STAINLESS STEEL t 0.4	—	1
4	SIDE PLATE	ステンレス鋼 t 0.5 STAINLESS STEEL t 0.5	—	1
5	SIDE COVER	ステンレス鋼 t 0.25 STAINLESS STEEL t 0.25	—	1
6	PIN PLATE	鋼 STEEL	フッ素樹脂コーティング FLUORINE RESIN COATING	1
7	SLIDER	ポリカーボネート UL94V-0 色:黒色 POLYCARBONATE UL94V-0 COLOR:BLACK	—	1
8	HEART CAM	ポリカーボネート UL94V-0 色:黒色 POLYCARBONATE UL94V-0 COLOR:BLACK	—	1
9	COIL SPRING	ステンレス鋼 φ 0.22 STAINLESS STEEL φ 0.22	—	1



ボタン詳細寸法
DETAIL OF BUTTON

EC NO. DRWN: CHK: APPR:	EC NO. DRWN: CHK: APPR:	EC NO. DRWN: CHK: APPR:	EC NO. DRWN: CHK: APPR:	EC NO. DRWN: CHK: APPR:	EC NO. DRWN: CHK: APPR:	0	MATERIAL 材料 SEE NOTES	GENERAL TOLERANCES: (UNLESS SPECIFIED) —般公差 10 UNDER 未滿 +0.2 10 OVER 30 UNDER 未滿 +0.25 30 OVER 以上 +0.3 ANGLE 角度 +3°	SCALE 2 - 1 <input checked="" type="checkbox"/> mm <input type="checkbox"/> INCH	DESIGN UNITS <input checked="" type="checkbox"/> mm <input type="checkbox"/> INCH	DIMENSIONS: <input type="checkbox"/> mm <input type="checkbox"/> INCH <input type="checkbox"/> mm <input checked="" type="checkbox"/> mm <input type="checkbox"/> INCH	SHT REV	
							FINISH 仕上り SEE NOTES		DRAWN BY & DATE T. Kinata '98/09/09	THIRD ANGLE PROJECTION	TITLE: CF CARD CONN. EJECT MECHANISM EJECT ASS'Y	REVISE ON CAD ONLY	
							WIRE RANGE 適用線径範囲 —		CHECKED BY & DATE H. Saeb '98/09/09	MOLEX INCORPORATED	SHEET NO. 2		
							INS. RANGE 被覆外径 —		APPROVED BY & DATE Y. Hasegawa '98/09/09	CAD FILENAME 55365002.S02	MATERIAL NO. 55365-0011	DRAWING NO. SD-55365-002	SIZE B
							THIS DRAWING CONTAINS INFORMATION THAT IS PROPRIETARY TO MOLEX INCORPORATED AND SHOULD NOT BE USED WITHOUT WRITTEN PERMISSION.						