

EMC-compatible solutions are required when using fan-and-filter units in enclosures with increased shielding. The base parts of our fan-and-filter units are given a metallic coating in a galvanising process. All-round conductive connection between the fan housing and the mounting surface is achieved via a special EMC seal.

**Technical description:**

- All-round contact on the enclosure via a special EMC seal.
- Minimal number of additional fixing holes, thanks to the contact spring solution.
- Optimised noise generation and air volume, thanks to the typical Rittal grille design.
- Service-friendly handling, thanks to quick replacement of the filter mat.
- The plastic housing is temperature-resistant from -35 °C to +70 °C and is also self-extinguishing to UL 94-V0.

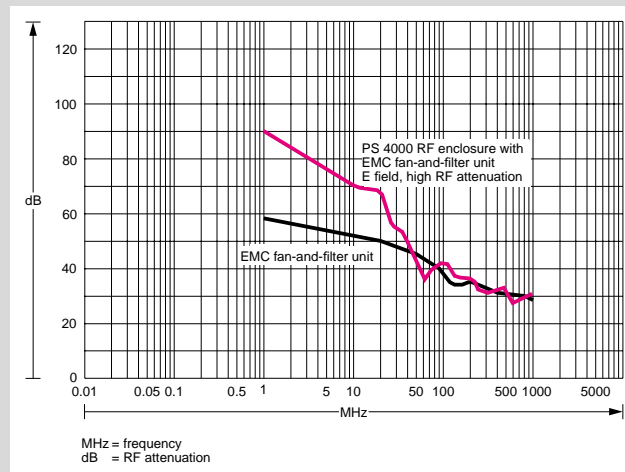
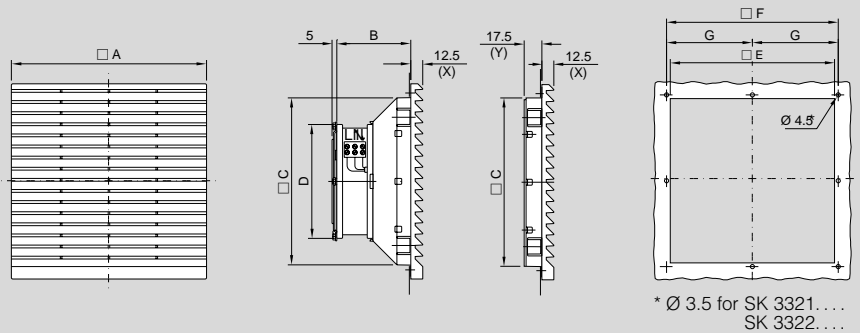
**Colour:**

RAL 7032. To order fan-and-filter units in RAL 7035, change the final digit of the order number to a 7.

**Supply includes:**

Fan-and-filter units complete and ready to install, including drilling template, filter mat and assembly parts.

**EMC fan-and-filter unit**



Performance diagrams – see basic units:  
SK 3321..., p. 542  
SK 3322..., p. 542  
SK 3323..., p. 544  
SK 3324..., p. 544  
SK 3325..., p. 546  
SK 3326..., p. 548  
SK 3327..., p. 548

- (X): SK 3321... 10 mm  
SK 3322... 10.5 mm
- (Y): SK 3321... 12 mm  
SK 3322... 14 mm

|  |
|--|
| <b>Model No. Fan-and-filter unit SK</b>                                |
| Rated operating voltage Volt/Hz  |
| <b>Air throughput, unimpeded air flow</b>                              |
| <b>Air throughput with outlet filter including standard filter mat</b> |
| Axial fan  |
| Rated current max.   |
| Power  |
| Noise level  |
| Temperature range  |
| Protection category to EN 60 529/10.91                                 |
| <b>Model No. EMC outlet filter SK</b>                                  |
| A (mm)   |
| B (mm)   |
| C (mm)   |
| D (mm)   |
| E (mm)   |
| F (mm)   |
| G (mm)   |

|   |  |  |  |  |  |   |                   |  |                   |   |                   |                     |                     |
|---|--|--|--|--|--|---|-------------------|--|-------------------|---|-------------------|---------------------|---------------------|
| <b>3321.600</b>   | <b>3321.615*</b>   | <b>3322.600</b>  | <b>3322.615*</b>   | <b>3323.600</b>  | <b>3323.615*</b>   | <b>3324.600</b>   | <b>3324.615*</b>  | <b>3325.600</b>  | <b>3325.615</b>   | <b>3326.600</b>   | <b>3326.615*</b>  | <b>3327.600</b>     | <b>3327.615*</b>    |
| 230/50/60   | 115/50/60  | 230/50/60  | 115/50/60  | 230/50/60  | 115/50/60  | 230/50/60   | 115/50/60         | 230/50/60  | 115/50/60         | 230/50/60   | 115/50/60         | 230/50/60           | 115/50/60           |
| <b>20/25 m³/h</b>   | <b>55/66 m³/h</b>  | <b>105/120 m³/h</b>  | <b>180/160 m³/h</b>  | <b>230/265 m³/h</b>  | <b>500/560 m³/h</b>  | <b>700/720 m³/h</b>   |                   |  |                   |   |                   |                     |                     |
| 1 x 3321.260:<br><b>15/18 m³/h</b>                              | 1 x 3322.260:<br><b>43/50 m³/h</b><br>2 x 3322.260:<br><b>48/55 m³/h</b><br>1 x 3323.260:<br><b>48/55 m³/h</b> | 1 x 3323.260:<br><b>71/82 m³/h</b><br>2 x 3323.260:<br><b>85/98 m³/h</b><br>1 x 3325.260:<br><b>78/90 m³/h</b> | 1 x 3325.260:<br><b>115/ 95 m³/h</b><br>2 x 3325.260:<br><b>165/140 m³/h</b><br>1 x 3326.260:<br><b>155/130 m³/h</b> | 1 x 3325.260:<br><b>170/205 m³/h</b><br>2 x 3325.260:<br><b>200/230 m³/h</b><br>1 x 3326.260:<br><b>190/215 m³/h</b> | 1 x 3325.260:<br><b>170/205 m³/h</b><br>2 x 3325.260:<br><b>200/230 m³/h</b><br>1 x 3326.260:<br><b>360/390 m³/h</b> | 1 x 3326.260:<br><b>525/575 m³/h</b>                            |                   |  |                   |   |                   |                     |                     |
| Self-starting shaded pole motor                                 |  |  |  |  |  |   |                   |  |                   | Capacitor motor   |                   |                     |                     |
| 69 mA/<br>58 mA   | 138 mA/<br>115 mA  | 0.12 A/<br>0.11 A  | 0.24 A/<br>0.23 A  | 0.12 A/<br>0.11 A  | 0.24 A/<br>0.23 A  | 0.19 A/<br>0.20 A   | 0.38 A/<br>0.40 A | 0.28 A/<br>0.24 A  | 0.53 A/<br>0.49 A | 0.29 A/<br>0.35 A   | 0.58 A/<br>0.70 A | 0.65 A/<br>0.95 A   | 1.50 A/<br>2.00 A   |
| 12.5 W/<br>10.3 W   | 19.0 W/<br>18.0 W  |  |  |  |  | 30.0 W/<br>35.0 W   |                   | 41.0 W/<br>38.0 W  |                   | 64.0 W/<br>80.0 W   |                   | 155.0 W/<br>212.0 W | 167.0 W/<br>230.0 W |
| 41/46 dB (A)  | 46/49 dB (A)   |  |  |  |  | 52/48 dB (A)  |                   | 54/56 dB (A)   |                   | 59/61 dB (A)  |                   | 75/76 dB (A)        |                     |
| -10 °C to +55 °C  |  |  |  |  |  |   |                   |  |                   |   |                   |                     |                     |
| IP 43<br>IP X5 when using fine filter mats and hose-proof hoods |  |  |  | IP 43 standard<br>IP X5 when using fine filter mats and hose-proof hoods   |  | IP 43<br>IP X5 when using fine filter mats and hose-proof hoods |                   | IP 43 standard<br>IP X5 when using fine filter mats and hose-proof hoods |                   | IP 43<br>IP X5 when using fine filter mats and hose-proof hoods |                   |                     |                     |
| <b>3321.260</b>   | <b>3322.260</b>  | <b>3323.260</b>  | <b>3325.260</b>  | <b>3326.260</b>  |  |   |                   |  |                   |   |                   |                     |                     |
| 116.5   | 148.5  | 204.0  | 255.0  | 323.0  |  |   |                   |  |                   |   |                   |                     |                     |
| 37.0  | 52.0   | 77.5   | 100.0  | 124.0  | 140.0  |   |                   |  |                   |   |                   |                     |                     |
| 90.0  | 122.5  | 176.0  | 222.0  | 290.0  |  |   |                   |  |                   |   |                   |                     |                     |
| □ 90.0  | □ 120.0  | □ 120.0  | ∅ 150.0  | □ 225.0  | 280.0  |   |                   |  |                   |   |                   |                     |                     |
| 92.0 +0.8   | 124.0  | 177.0  | 224.0  | 292.0  |  |   |                   |  |                   |   |                   |                     |                     |
| 100.5   | 132.5  | 185.0  | 234.0  | 302.0  |  |   |                   |  |                   |   |                   |                     |                     |
| (50.25)   | (66.25)  | (92.5)   | (117.0)  | (151.0)  |  |   |                   |  |                   |   |                   |                     |                     |

Special voltages available on request. Technical modifications reserved. May be ordered in RAL 7035, by changing the final digit to a 7. Delivery times on request.

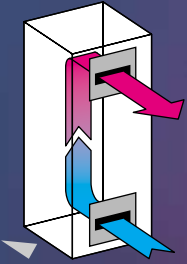
|  |          |      |
|--|----------|------|
| <b>Accessories</b>                           | Packs of | Page |
| Spare filter mats                            | 5        | 568  |
| Fine filter mats                             | 5        | 568  |
| Thermostat                                   | 1        | 571  |
| Temperature indicator with switching contact | 1        | 570  |
| Speed control                                | 1        | 572  |
| Hose-proof hood                              | 1        | 570  |

|          |          |          |          |          |          |
|----------|----------|----------|----------|----------|----------|
| 3321.700 | 3322.700 | 3171.100 | 3172.100 | 3173.100 | 3327.700 |
| -        |          | 3181.100 | 3182.100 | 3183.100 |          |
| 3110.000 |          |          |          |          |          |
| 3114.100 | 3114.115 | 3114.100 | 3114.115 | 3114.100 | 3114.115 |
| 3120.000 | 3120.115 | 3120.000 | 3120.115 | 3120.000 | 3120.115 |
| 3321.800 | 3322.800 | 3323.800 | 3324.800 | 3326.800 |          |

\* Delivery times on request  
550

# EMC FAN-AND-FILTER UNITS

Air throughput 20 – 700 m<sup>3</sup>/h



Ffan-and-filter units

| Air throughput              | 20 m <sup>3</sup> /h            | 55 m <sup>3</sup> /h | 105 m <sup>3</sup> /h | 180 m <sup>3</sup> /h | 230 m <sup>3</sup> /h | 500 m <sup>3</sup> /h | 700 m <sup>3</sup> /h |
|-----------------------------|---------------------------------|----------------------|-----------------------|-----------------------|-----------------------|-----------------------|-----------------------|
| Axial fan                   | Self-starting shaded pole motor |                      |                       |                       |                       | Capacitor motor       |                       |
| Voltage                     | see Model No.                   |                      |                       |                       |                       |                       |                       |
| <b>Model No. SK (115 V)</b> | <b>3321.615</b>                 | <b>3322.615</b>      | <b>3323.615</b>       | <b>3324.615</b>       | <b>3325.615</b>       | <b>3326.615</b>       | <b>3327.615</b>       |
| <b>Model No. SK (230 V)</b> | <b>3321.600</b>                 | <b>3322.600</b>      | <b>3323.600</b>       | <b>3324.600</b>       | <b>3325.600</b>       | <b>3326.600</b>       | <b>3327.600</b>       |

Approvals for all EMC fan-and-filter units, see page 540/541.



The continuous conductive connection between the fan housing and the mounting surface is achieved via a special EMC sealing frame.



The fan-and-filter unit housings have a metallic coating.