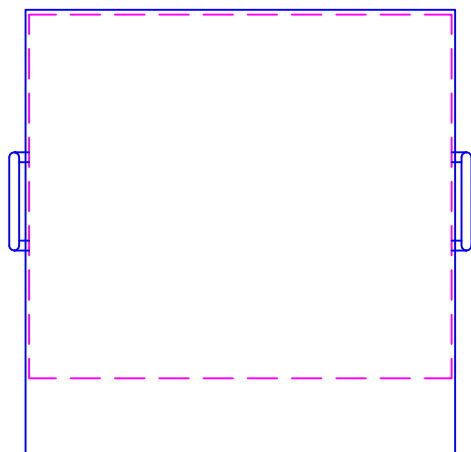
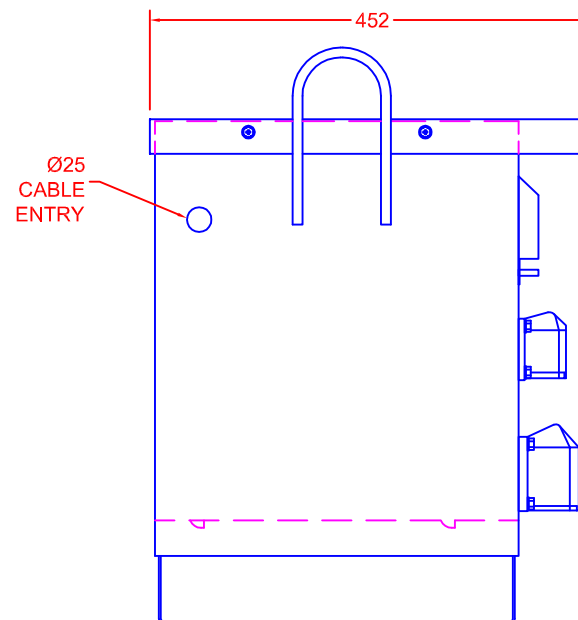
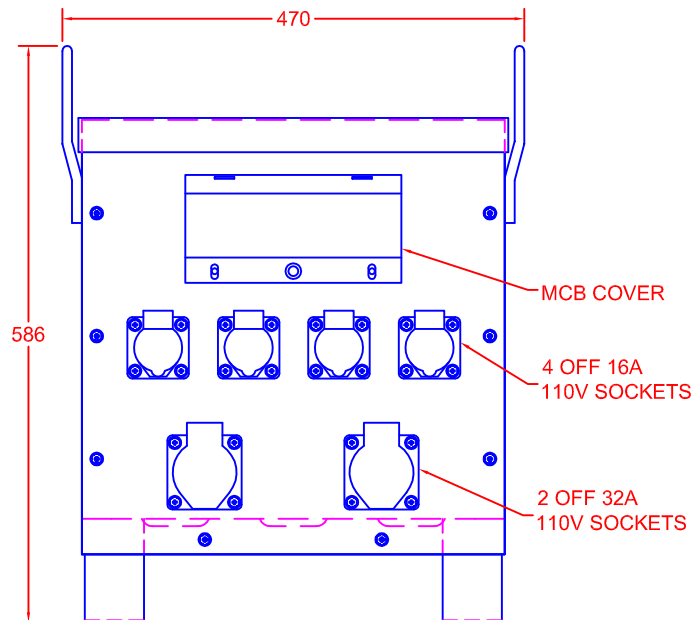


TOLERANCES (UNLESS SPECIFIED)	
0-10mm	±0.2mm
10.1-50mm	±0.5mm
50.1-250mm	±1.0mm
>250mm	±2.0mm



### SITE BOX TRANSFORMER

TYPE	3 PHASE
MODEL	CM10K/36
INPUT	400V
OUTPUT	110V LINE-LINE STAR POINT EARTHED
VECTOR	DYn11
RATING	10kVA CONTINUOUS
SOCKETS	4 OFF 16A (BS EN 60309) 2 OFF 32A (BS EN 60309)
PROTECTION	
INPUT	3 POLE 20A
OUTPUT	2 OFF 2 POLE 20A 2 OFF 2 POLE 32A
ENCLOSURE	MILD STEEL RATED IP22
COLOUR	YELLOW

REV	DESCRIPTION
4	
3	
2	
1	REDRAWN, GB 18/6/07

**CARROLL & MEYNELL**  
 TRANSFORMERS LIMITED  
 TEL: 01642 617406 FAX: 01642 614178  
 enquiries@carroll-meynell.com

TITLE
SITE BOX SUPPLY CM10K36
ALL DIMENSIONS IN mm

DRAWN	PROJECTION	DATE	SCALE
SH		18/06/07	NTS
DRAW No	REV	PAGE	
3285	1	1/1	