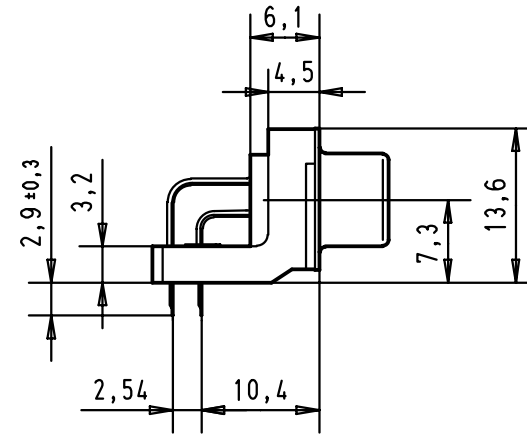
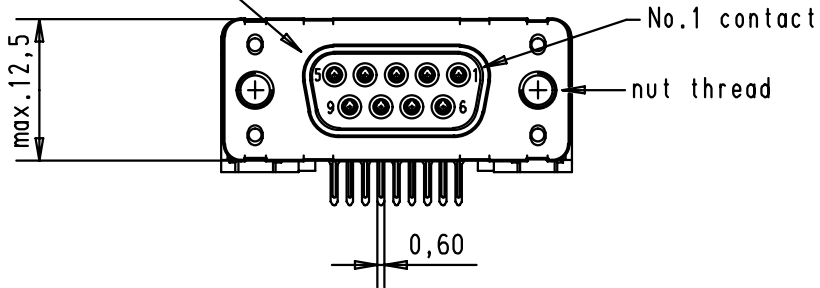
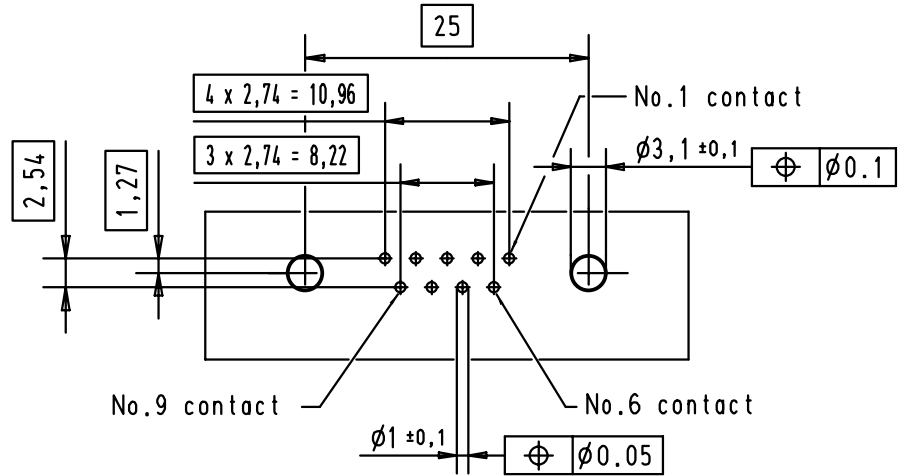
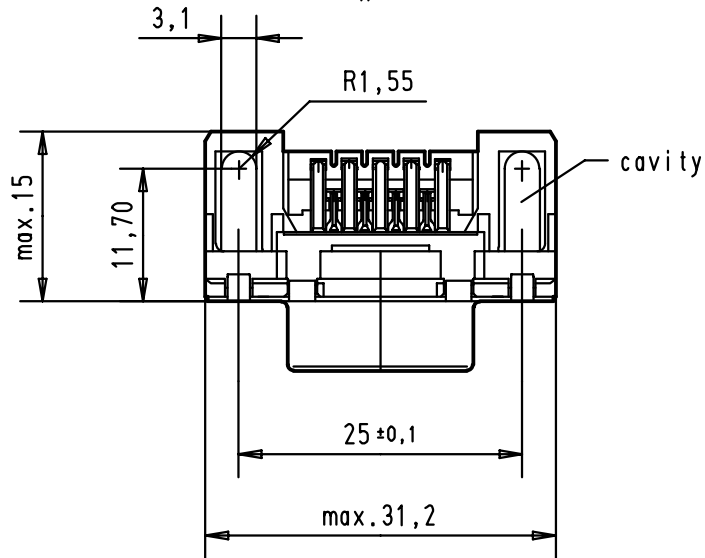


5 4 3 2 1

Mating face according to : MIL-C-24308 / DIN 41652 / CECC 75301-802



Printed board layout  
component side



A	09 66 112 6601	M3	2						<p>All Dim. in mm Orig. Size DIN A 4</p>	D-Sub 09 poles standard angle female, solder pin with nut and hole	Maßstab/ Scale 1.5:1		
	09 66 112 7601	M3	3					Detail.				27/nov/00	ALSPACE
	09 66 112 5601	M3	0.76 µm Au					Insp.					
	09 66 112 6602	4-40 UNC	2					Stand.					
	09 66 112 7602	4-40 UNC	3	29773	18-APR-02	CV	HARTING EURL				TB 0966112x60x	Blatt/ Page 2	
	09 66 112 5602	4-40 UNC	0.76 µm Au	27960	27/nov/00	ALSPACE	F-95972 Paris						
	Part number	Nut thread	Performance level	Mod.	Dat.	Name				Sub.			