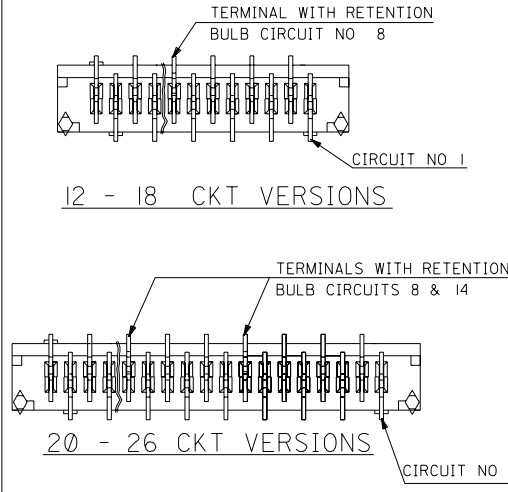


NOTES:

- MATERIAL: HOUSING: NYLON 4/6 30% G.F., UL 94 V-0, NATURAL (BEIGE)
TERMINAL - CARTRIDGE BRASS (0.28)/0.11 REF THICK
- PLATING:
TIN: TIN (3-5UM)/120uin-200uin OVER (1.27um)/5uin MIN NICKEL.
GOLD: (0.38UM)/15UIN or (0.76UM)/30UIN SELECTIVE GOLD AND (0.10-0.20UM)/4UIN-8UIN GOLD FLASH OVER (1.27UM)/50UIN NICKEL UNDERCOAT
- MATES WITH MOLEX 90327 PART SERIES
- RETENTION BULBS ARE OPTIONAL
- ALL SMT TAILS TO LIE WITHIN A COPLANARITY BAND OF (0.0)/.0 - (0.15)/.006 REF. FROM EACH OTHER.
- FOR TAPE & REEL PACKAGING DETAILS SEE SDA-90814-9001
- PCB PEGS ARE OPTIONAL
- PCB LAYOUT SHOWN ON SHEET 2

RETENTION BULB CONFIGURATIONS
90814-*1** / 90814-*4** OPTIONS
(BULBS USED IN 12-26 CKT ONLY)



90814 - **
CIRCUIT SIZE

	RETENTION BULBS	PCB PEGS	TUBE PACKED	TAPE & REEL PACKED	POLARIZING PEG HEIGHT DIMN. E
0	NO	YES	YES	NO	(6.40)/.252
1	YES	YES	YES	NO	(6.40)/.252
2	NO	YES	NO	YES	(6.40)/.252
3	NO	NO	YES	NO	(6.40)/.252
4	YES	NO	YES	NO	(6.40)/.252
5	NO	NO	NO	YES	(6.40)/.252
6	NO	NO	YES	NO	(4.10)/.161
7	NO	NO	NO	YES	(4.10)/.161

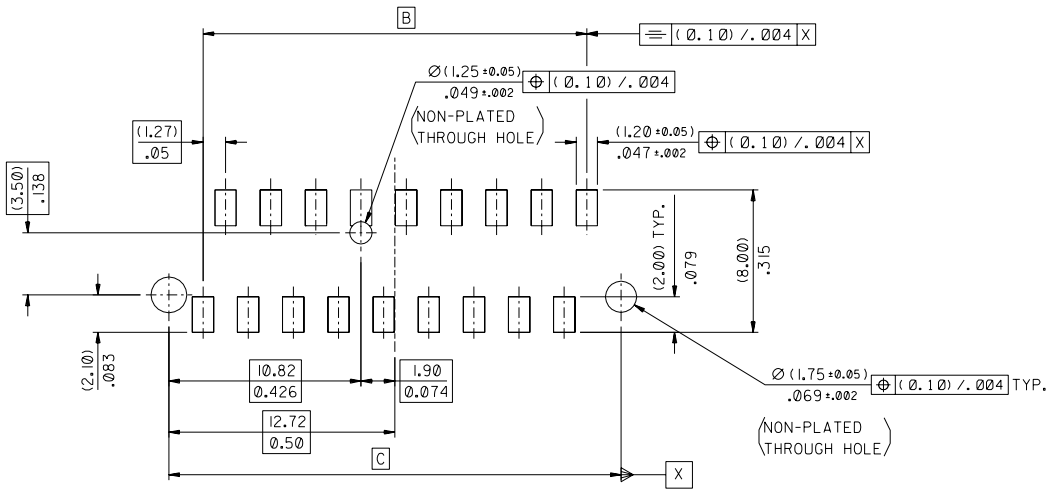
- 0= (3-5UM)/120-200UIN TIN VERSION
- 2= (0.38UM)/15UIN GOLD VERSION
- 3= (0.76UM)/30UIN GOLD VERSION

90814-***34	34	(46.96)/1.849	(41.91)/1.850	(45.76)/2.002	10	NO
90814-***26	26	(36.80)/1.449	(31.75)/1.250	(35.60)/1.402	14	YES
90814-***24	24	(34.26)/1.349	(29.21)/1.150	(33.06)/1.302	15	YES
90814-***22	22	(31.72)/1.249	(26.67)/1.050	(30.52)/1.202	16	YES
90814-***20	20	(29.18)/1.149	(24.13)/.950	(27.98)/1.102	18	YES
90814-***18	18	(26.64)/1.049	(21.59)/.850	(25.44)/1.002	20	YES
90814-***16	16	(24.10)/.949	(19.05)/.750	(22.90)/.902	22	YES
90814-***14	14	(21.56)/.849	(16.51)/.650	(20.36)/.802	24	YES
90814-***12	12	(19.02)/.749	(13.97)/.550	(17.82)/.702	28	YES
90814-***10	10	(16.48)/.649	(11.43)/.350	(15.28)/.602	32	YES
90814-***08	8	(13.94)/.549	(8.89)/.250	(12.74)/.502	38	YES
90814-***06	6	(11.40)/.449	(6.35)/.150	(10.20)/.402	46	YES
90814-***04	4	(8.86)/.349	(3.81)/.150	(7.66)/.302	59	YES
PART NO.	NUMBER OF CKTS	DIMN. A	DIMN. B	DIMN. C	QUANTITY OF PARTS PER TUBE (*0**/*1**/*3** & *4** VERSIONS)	TOOLED

CHANGED PLATING SPEC EC NO. L2003-0567 DRWN: J DENNEY/03/03/04 CHK: / / / APPR: / / / M	DESCRIPTION MAJOR CRITICAL C=	QUALITY SYMBOLS	GENERAL TOLERANCES: (UNLESS SPECIFIED) 4 PLACES ±0. INCH 3 PLACES ±0.004 ±. 2 PLACES ±0. ±0.10 1 PLACE ±0. ±. ANGULAR: ± 1/2 °	SCALE 5:1 DESIGN UNITS <input checked="" type="checkbox"/> mm <input type="checkbox"/> INCH	DRAWN BY & DATE DMCNAMAR 01/08/16 CHECKED BY & DATE PCURTIN 01/08/16 APPROVED BY & DATE MWILHITE 01/08/16 CAD FILENAME	DIMENSIONS: <input type="checkbox"/> mm <input type="checkbox"/> INCH <input type="checkbox"/> mm <input type="checkbox"/> INCH THIRD ANGLE PROJECTION	TITLE: PICOFLEX SMT HEADER	DIMENSIONS: <input type="checkbox"/> mm <input type="checkbox"/> INCH <input type="checkbox"/> mm <input type="checkbox"/> INCH	SHEET NO. 1 OF 2 SIZE C
		REV	DRAFT WHERE APPLICABLE MUST REMAIN WITHIN DIMENSIONS	THIS DRAWING CONTAINS INFORMATION THAT IS PROPRIETARY TO MOLEX INCORPORATED AND SHOULD NOT BE USED WITHOUT WRITTEN PERMISSION.	MATERIAL NO. SEE CHART DRAWING NO. SDA-90814	SHEET NO. 1 OF 2 SIZE C			
		MOLEX INCORPORATED	REVISION ON CAD ONLY	SHEET NO. 1 OF 2 SIZE C					
		M	DRAFT WHERE APPLICABLE MUST REMAIN WITHIN DIMENSIONS	THIS DRAWING CONTAINS INFORMATION THAT IS PROPRIETARY TO MOLEX INCORPORATED AND SHOULD NOT BE USED WITHOUT WRITTEN PERMISSION.	MATERIAL NO. SEE CHART DRAWING NO. SDA-90814	SHEET NO. 1 OF 2 SIZE C			

PART NO. SEE CHART
DWG NO. SDA-90814

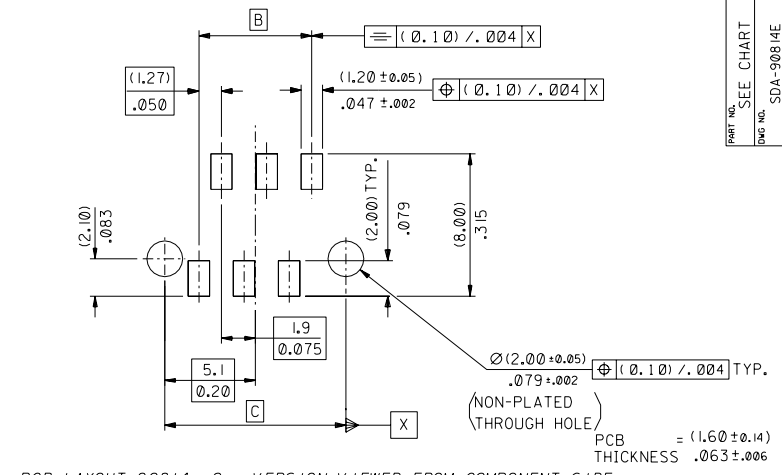
13 12 11 10 9 8 7 6 5 4 3 2 1



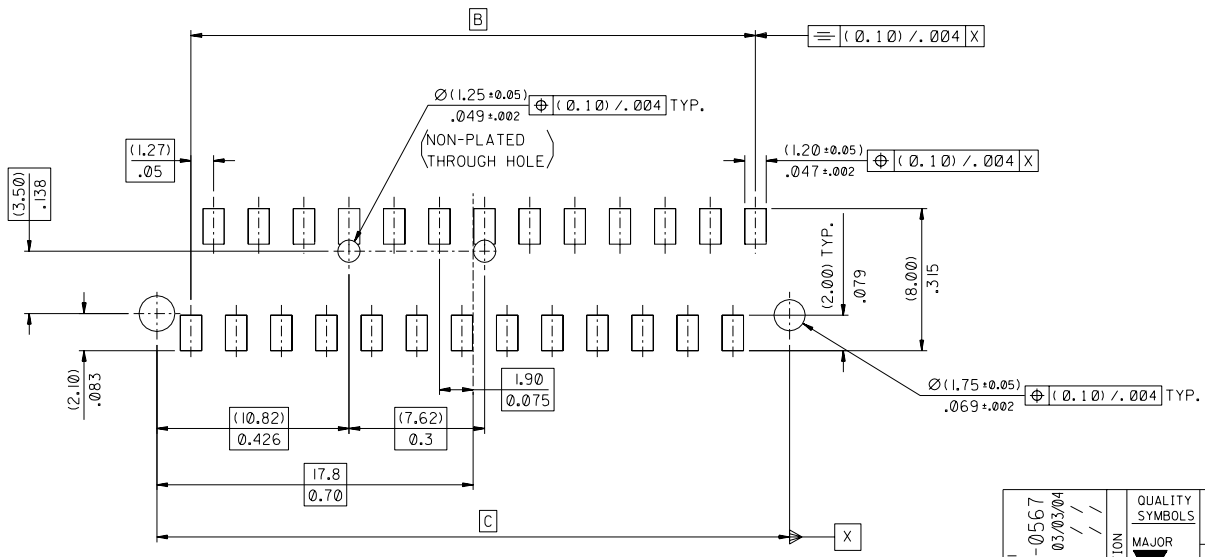
PCB LAYOUT 90814-11-2** VERSION VIEWED FROM COMPONENT SIDE (12-18 CKT)

(18 CKT SHOWN AS EXAMPLE)

PCB = (1.60 ± 0.14)
THICKNESS .063 ± .006



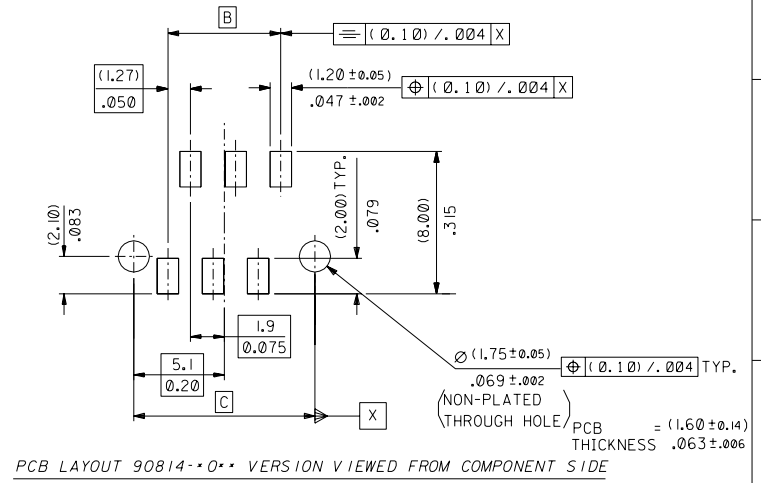
PCB LAYOUT 90814-20-2** VERSION VIEWED FROM COMPONENT SIDE



PCB LAYOUT 90814-11-2** VERSION VIEWED FROM COMPONENT SIDE (20-26 CKT)

(26 CKT SHOWN AS EXAMPLE)

PCB = (1.60 ± 0.14)
THICKNESS .063 ± .006



PCB LAYOUT 90814-20-2** VERSION VIEWED FROM COMPONENT SIDE

NOTES:
1. PCB HOLES ARE OPTIONAL.

SEE SHEET 1

EC NO. E2003-0567	QUALITY SYMBOLS
DRWN: JDENNEY 03/03/04	MAJOR
CHK: / / /	CRITICAL
APPR: / / /	C
REV	DESCRIPTION
M	

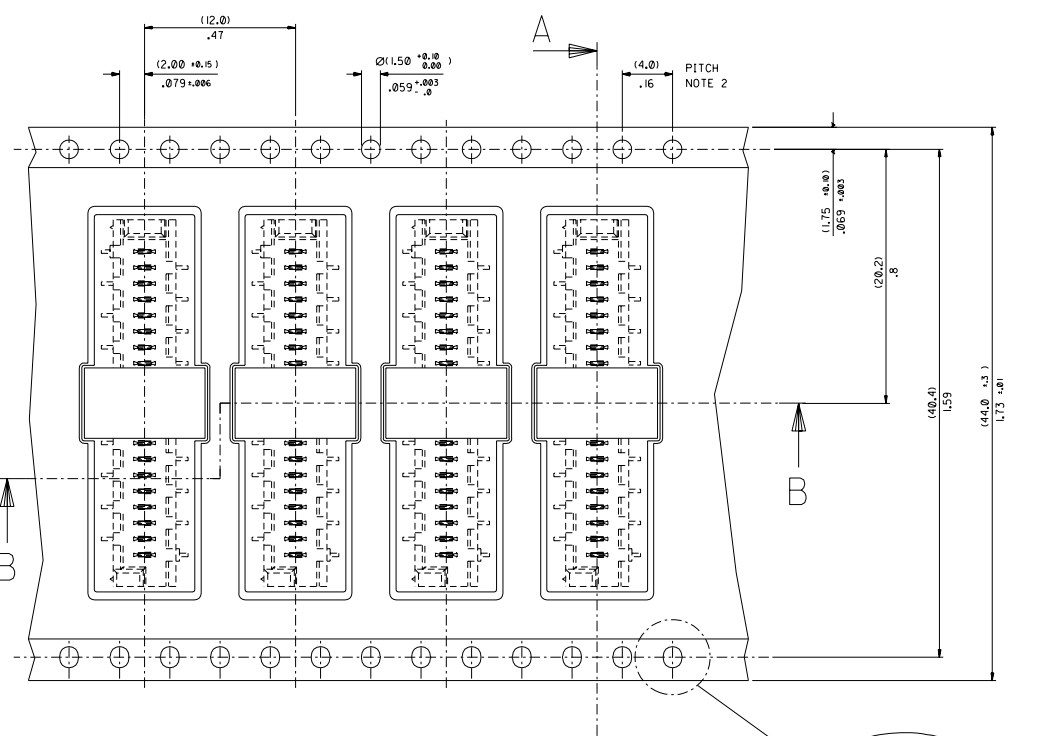
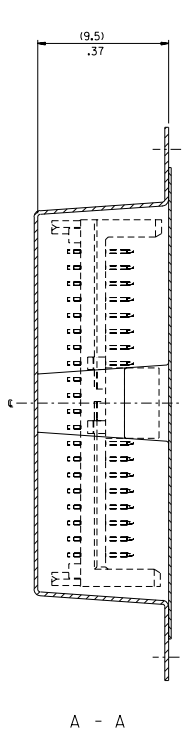
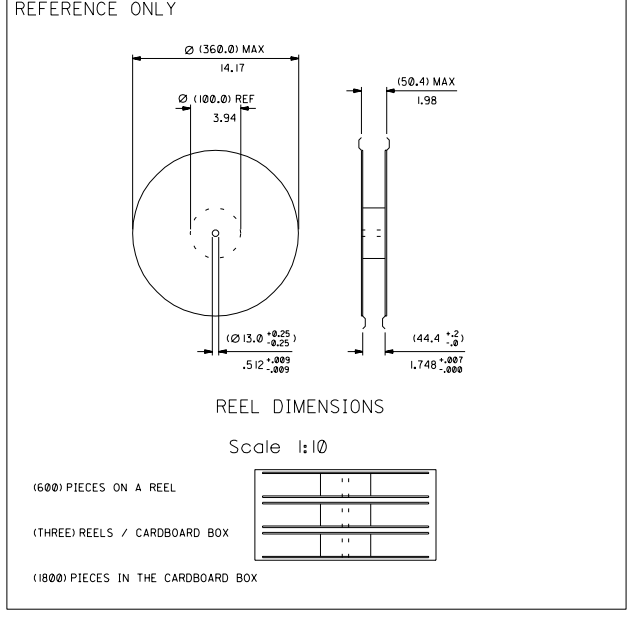
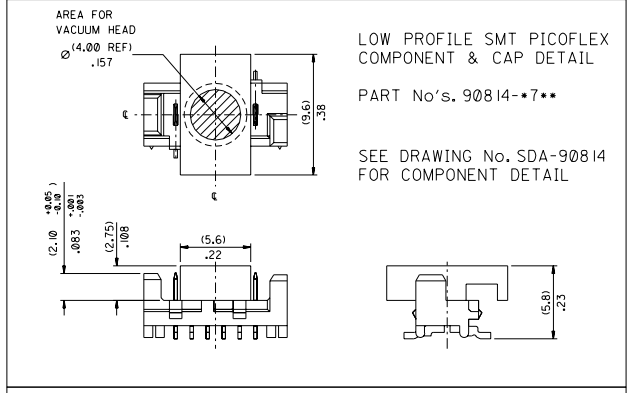
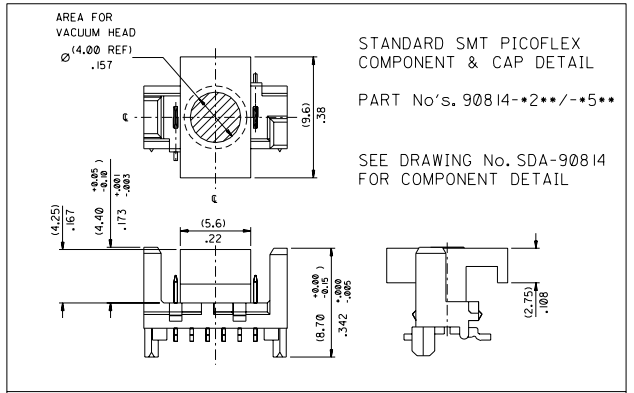
GENERAL TOLERANCES: (UNLESS SPECIFIED)	
mm	INCH
4 PLACES ±0.10	±.
3 PLACES ±0.10	±.
2 PLACES ±0.10	±.
1 PLACE ±0.20	±.
ANGULAR: ± 1/2 °	
DRAFT WHERE APPLICABLE MUST REMAIN WITHIN DIMENSIONS	

SCALE 5:1	DESIGN UNITS
mm	INCH
DRAWN BY & DATE	DMCNAMAR 01/08/23
CHECKED BY & DATE	BMAGUIRE 01/08/23
APPROVED BY & DATE	MWILHITE 01/08/23
CAD FILENAME	

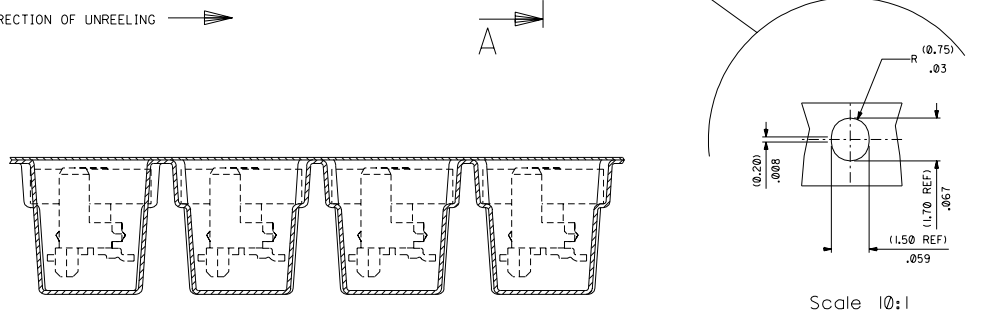
DIMENSIONS:		SHT	REV
<input type="checkbox"/> mm	<input type="checkbox"/> INCH		
<input type="checkbox"/> mm	<input type="checkbox"/> mm		
THIRD ANGLE PROJECTION		REVISE ON CAD ONLY	
TITLE: PICO FLEX SMT HEADER			
MOLEX INCORPORATED			
MATERIAL NO. SEE CHART	DRAWING NO. SDA-90814	SHEET NO. 2 OF 2	
THIS DRAWING CONTAINS INFORMATION THAT IS PROPRIETARY TO MOLEX INCORPORATED AND SHOULD NOT BE USED WITHOUT WRITTEN PERMISSION.			
		SIZE	C

PART NO. SEE CHART
DWG. NO. SDA-90814E

13 12 11 10 9 8 7 6 5 4 3 2 1



90814-226/-*526/-*726	26
90814-224/-*524/-*724	24
90814-222/-*522/-*722	22
90814-220/-*520/-*720	20
90814-218/-*518/-*718	18
90814-216/-*516/-*716	16
90814-214/-*514/-*714	14
90814-212/-*512/-*712	12
90814-210/-*510/-*710	10
90814-208/-*508/-*708	8
90814-206/-*506/-*706	6
90814-204/-*504/-*704	4
PART NO.	NUMBER OF CKTS



TO CUSTOMER ASSEMBLY MACHINE

MOLEX REEL

NOTES:

- MATERIAL : CARRIER TAPE : VOLUME NON-CONDUCTIVE POLYSTYRENE, (0.4) .016 REF THICK, CLEAR COVER TAPE : COLD SEAL POLYESTER, (0.06) .002 REF THICK, TRANSPARENT
- PITCH TOLERANCE OVER ANY 10 PITCHES $\pm (0.2) .008$
- PEEL FORCE OF THE COVER TAPE IS 0 IN TO 10N AT A MAXIMUM PEEL SPEED OF (300) 1.81/min $\pm 10\%$
- PACKAGING SPEC. TBA
- REFERENCE TO JEC 286-3

REV	DESCRIPTION	GENERAL TOLERANCES: (UNLESS SPECIFIED)		SCALE :	DESIGN UNITS	THIRD ANGLE PROJECTION	DIMENSIONS:		SHT	REV	
		mm	INCH				mm	INCH			
MAJOR	CRITICAL										
4 PLACES	± 0	\pm									
3 PLACES	± 0	\pm									
2 PLACES	± 0	\pm									
1 PLACE	± 0	\pm									
		ANGULAR: $\pm 1/2^\circ$		CAD FILENAME		MATERIAL NO.		DRAWING NO.		SHEET NO.	
		DRAFT WHERE APPLICABLE MUST REMAIN WITHIN DIMENSIONS		THIS DRAWING CONTAINS INFORMATION THAT IS PROPRIETARY TO MOLEX INCORPORATED AND SHOULD NOT BE USED WITHOUT WRITTEN PERMISSION.		SEE CHART		SDA-90814-9001		1 OF 2	

ADDED OPTION EC No. 2003-0012 DRAWING NO. SDA-90814-9001

QUALITY SYMBOLS

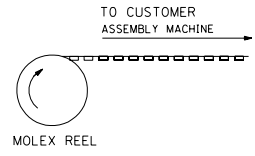
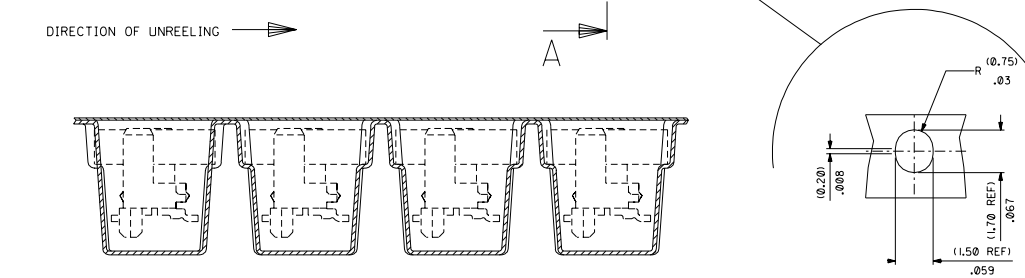
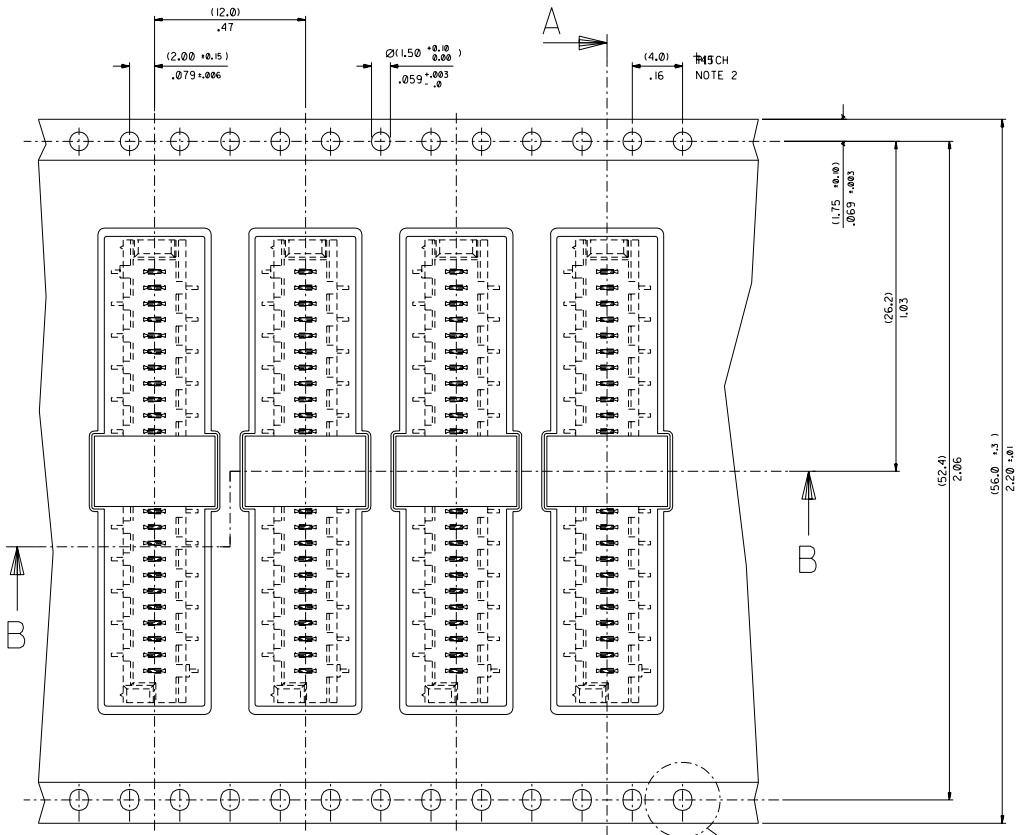
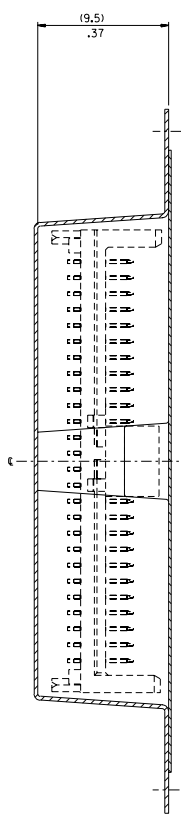
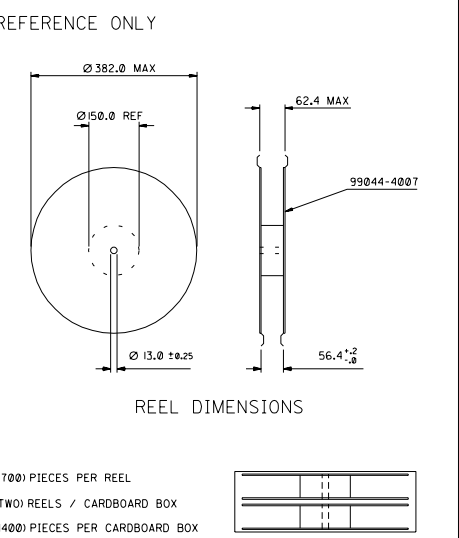
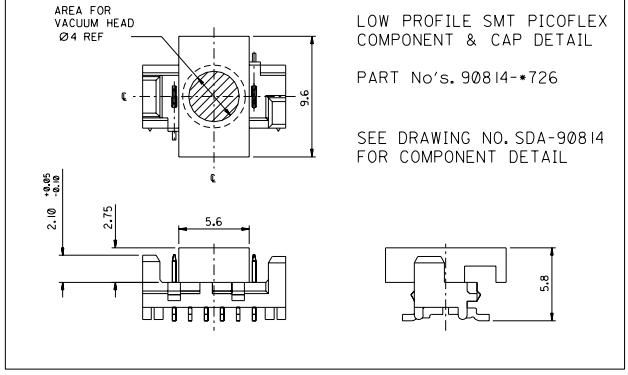
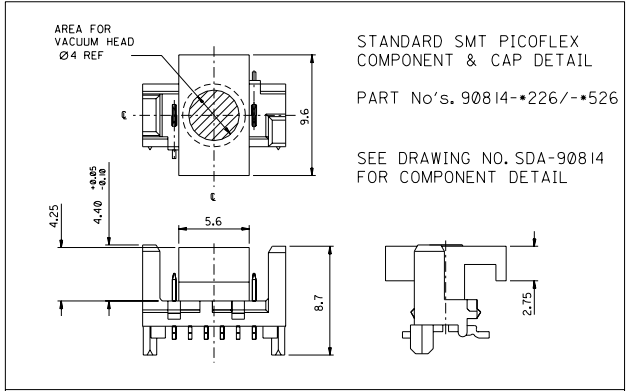
DRAWN BY & DATE: DMCNAMAR 01/08/15

CHECKED BY & DATE: BMAGUIRE 01/08/15

APPROVED BY & DATE: MWILHITE 01/08/15

TITLE: BLISTER PACKAGING FOR PICOFLEX (90814-2**/-*5**/-*7**) PRODUCT

MOLEX INCORPORATED



- NOTES:
1. FOR MATERIAL SPECIFICATION SEE SHEET I
 2. PITCH TOLERANCE OVER ANY 10 PITCHES IS ± (0.2) .008
 3. ALL CAVITY WALLS HAVE DRAFT ANGLE UNLESS STATED OTHERWISE
 4. POCKET DIM'S TAKEN FROM BOTTOM INNER PROFILE
 5. ALL INTERNAL RAD R.0.3mm MAX. UNLESS STATED

Scale 10:1

REVISED DESIGN REV NO. 2003-0037 DRAWN BY DENNEY 02/07/15 CHK: / APPR: /	QUALITY SYMBOLS MAJOR: / CRITICAL: / C: /	GENERAL TOLERANCES: (UNLESS SPECIFIED)		SCALE: 5:1	DESIGN UNITS: <input checked="" type="checkbox"/> mm <input type="checkbox"/> INCH	DIMENSIONS: <input type="checkbox"/> mm <input type="checkbox"/> INCH <input checked="" type="checkbox"/> ONLY		SHT	REV
		4 PLACES ±0.	3 PLACES ±0.	2 PLACES ±0.10	1 PLACE ±0.20	ANGULAR: ± 1/2°	DRAFT WHERE APPLICABLE MUST REMAIN WITHIN DIMENSIONS		THIS DRAWING CONTAINS INFORMATION THAT IS PROPRIETARY TO MOLEX INCORPORATED AND SHOULD NOT BE USED WITHOUT WRITTEN PERMISSION.
DRAWN BY & DATE: DMCNAMAR 01/08/21		CHECKED BY & DATE: PCURTIN 01/08/21		APPROVED BY & DATE: MWILHITE 01/08/21		CAD FILENAME: 99044-1039		MATERIAL NO. SDA-90814-9001	
TITLE: BLISTER PACKAGING FOR PICO FLEX (90814 -#226/-#526/-#726) PRODUCT						MOLEX INCORPORATED		SHEET NO. 2 OF 2	
								SIZE D	