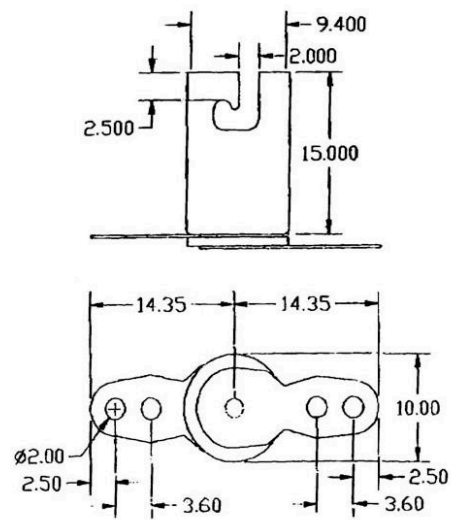


PRODUCT
DATA SHEET

| Type | Size | Rating | Description | Part No. |
|------------|------|--------|---------------------------------|----------|
| Lampholder | BA9s | | Bayonet Holder with solder tags | LH15 |



Dimensions in mm

Not to scale

NOTES:

- 1 Shell : Nickel plated brass
- 2 Insulator : Phenolic resin