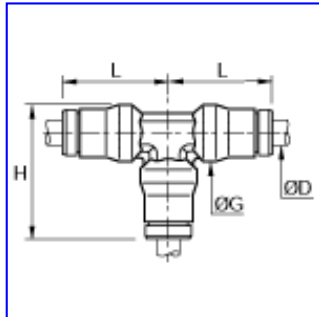




3604
EQUAL TEE

3604

maximum working pressure	bar	MPa	psi
	20	2,0	290
working temperature	°C (Celsius)	F (Fahrenheit)	K (Kelvin)
	From -20 to 120	From -4 to 248	From 253 to 393
body	nickel-plated brass		
'O'-rings	Fluoroelastomer FKM (FPM)		



3604
 EQUAL TEE
 for metric tubing

3604

Part No	ØD (mm)	ØG (mm)	H (mm)	J (mm)	L (mm)	(kg)
3604 04 00	4	10,0	23,0		18,0	0,014
3604 06 00	6	12,0	28,0		21,5	0,023
3604 08 00	8	15,0	31,0		23,5	0,031
3604 10 00	10	17,5	37,5		29,0	0,046
3604 12 00	12	19,5	40,5		31,0	0,064
3604 14 00	14	21,5	45,0		34,0	0,079