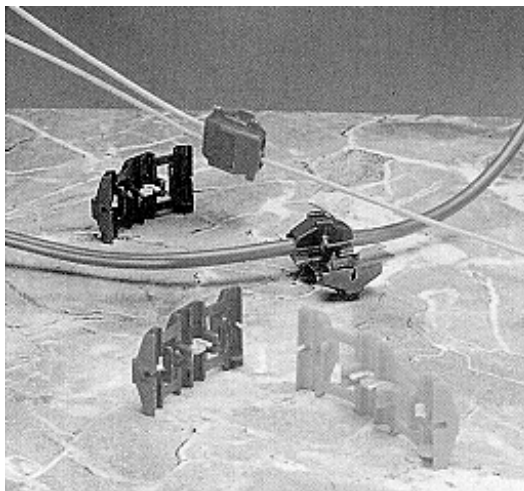


General Information

AMP ELECTRO-TAP Cable Connector/Splice



Product Facts

- Tap wire installed separately
- No wire stripping or cutting of run wires
- No special tools
- Permanent lock
- Self-extinguishing
- Generous lead-in
- Short overall length
- Built-in wire stop
- Works on solid or stranded wire
- Tap pre-assembly possible
- Isolated metal contacts

Description

The AMP ELECTRO-TAP connector utilizes insulation displacement type self-stripping contacts which provide faster, easier tapping than the conventional twist or other type splices. After four simple steps you have a fast, reliable connection on solid or stranded wires 20-10 AWG (.160-.195 max. insulation diameter). There is no special tooling required--ordinary pliers are all that are needed.

Each AMP ELECTRO-TAP connector is constructed of durable nylon with self-stripping, tin-plated brass contacts.

These connectors have a wide range of wiring applications in both low- and high-voltage usage. Some typical applications include:

- Fixtures
- Automotive wiring
- Boat and trailer systems
- Control panels
- Tractors and trailers
- Open splice wiring
- Mobile homes
- Low voltage switching systems
- Plant maintenance
- School bus
- Stereo and speaker wiring
- Trailer hitches
- Equipment manufacturers
- Harness repair
- Garage repair work
- Hobby wiring
- Auto dealers

Technical Data

Housing Material:

Nylon, color-coded

Contact Material:

Brass, tin plated

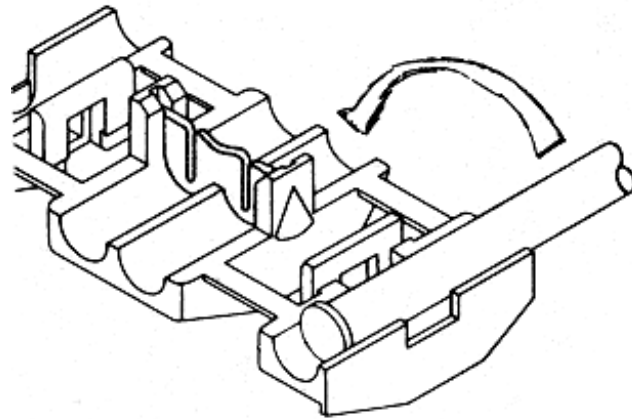
Carrying Capacity:

according wire cross section

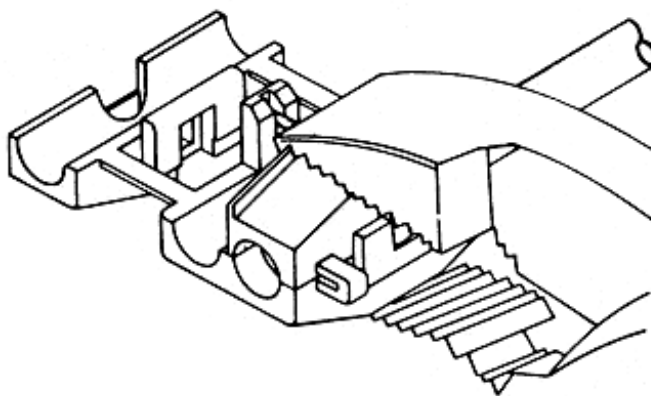
Chemical Properties:

Has nylon solvent and chemical resistive properties

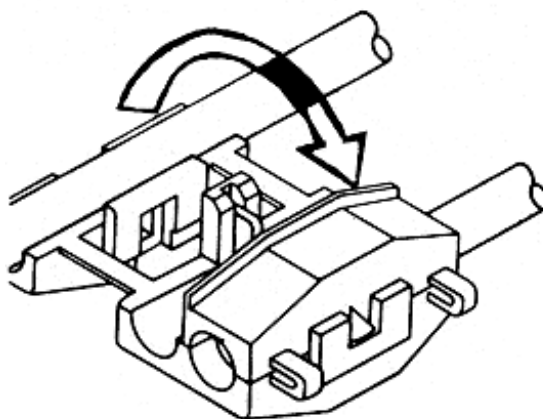
Assembly



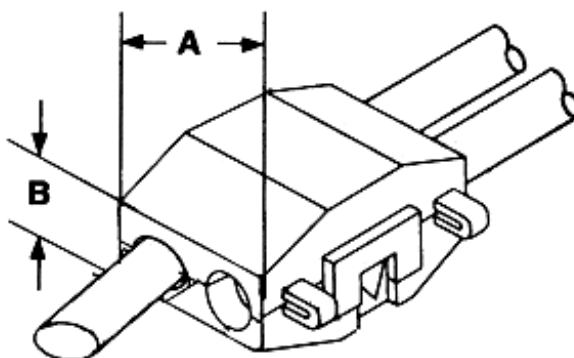
Insert wire in cover. For installation of two through wires, remove wire stop.



Close cover, keep wire in position and squeeze with pliers until cover is locked.



Repeat step one for second wire.



Repeat step two.
