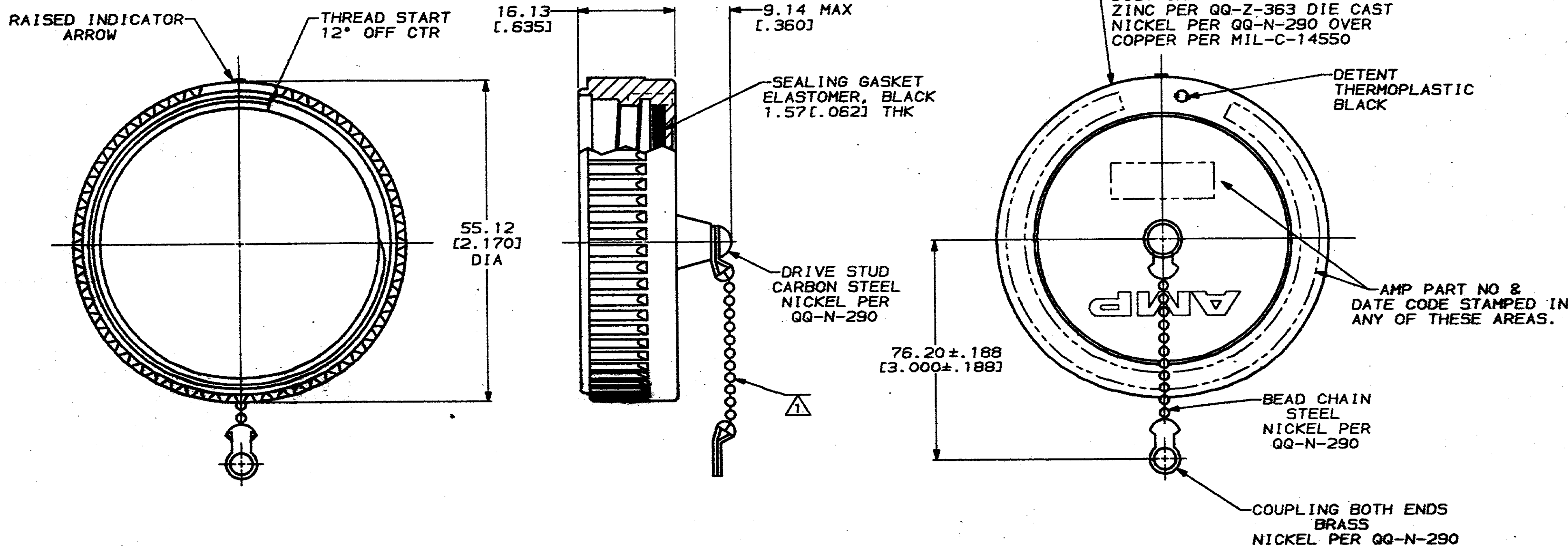


DRAWING MADE IN THIRD ANGLE PROJECTION

THIS DRAWING IS UNPUBLISHED. RELEASED FOR PUBLICATION

COPYRIGHT © BY AMP INCORPORATED. ALL INDUSTRIAL RIGHTS RESERVED.

REVISE		DATE		BY		DESCRIPTION		DATE	APPD
23	80	39				F	REDRAWN & REV ECM BDS241	08/13/91	KJ



⚠ BEADED PORTION OF CHAIN MUST ROTATE FREELY. THE EYELET OF THE CHAIN IS NOT REQUIRED TO SPIN FREELY AROUND THE STUD.

211904-1

PART NO

DO NOT SCALE PRINT. UNLESS SPECIFIED DIMENSIONS IN mm [INCHES] TOLERANCES ON:
 2 PLC DEC ± 0.25 [.010]
 3 PLC DEC ±
 ANGLES ±

DR 08/13/91 R. SHIREY

CHK - R. Stone 9-5-91

APPD - K. Beards 9-17-91

APPD - J. Johnson 9/19/91

PRODUCT SPEC

APPLICATION SPEC

WEIGHT

AMP AMP Incorporated Harrisburg, PA 17105-3608

PROTECTIVE CAP ASSEMBLY, SIZE 28, CMC

SIZE C CASE CODE 00779 DRAWING NO

SCALE 2:1 SHEET 1 OF 1

211904

SHEET 1 OF 1

CUSTOMER DRAWING