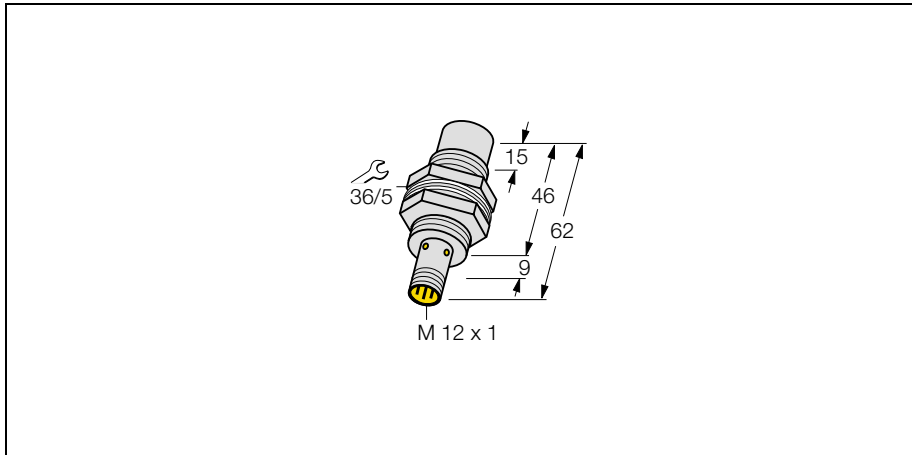


Inductive Sensor uproX®

Ni20U-EM30H-AP6X-H1141



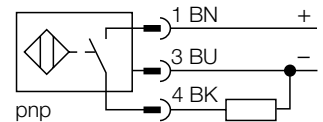
- Threaded barrel, M30x1
- Stainless steel
- Duroplast front cap, high mechanical and thermal resistance
- Factor 1 for all metals
- Degree of protection IP68
- Magnetic field immune
- Increased temperature range
- High switching frequency

| | |
|---|-----------------------------|
| Type | Ni20U-EM30H-AP6X-H1141 |
| Ident-No. | 1646412 |
| Rated operating distance Sn | 20,0 mm |
| Mounting mode | non-flush |
| Hysteresis H | 3...15 % |
| Max. relative temperature drift | ≤ 15 % v.E |
| Min. repeat accuracy | ≤ 2 % v.E |
| Operation temperature | -30...85 °C |
| Rated operational voltage (DC) U_e | 10...30 VDC |
| Max. ripple | ≤ 10 % U _{SS} |
| Rated operational current (DC) I _e | 200 mA |
| No-load current I ₀ | ≤ 15,0 mA |
| Max. OFF-state current | ≤ 0,1 mA |
| Max. switching frequency | ≤ 1,5 kHz |
| Rated insulation voltage | 0,5 kV |
| Output function | normally open, PNP |
| Short-circuit protection | yes, cyclic |
| Max. voltage drop at I _e | ≤ 1,8 V |
| Wire brakage and reverse polarity protection | yes, complete |
| Degree of protection / protection class | IP 68; 2 |
| Housing style | threaded barrel; EM30H |
| Housing diameter | 30,0 mm |
| Dimensions | 62,0 mm |
| Housing material | stainless steel; V2A 1.4301 |
| Active face | plastic; Duroplast |
| Max. fixing torque of coupling nut | ≤ 90,0 Nm |
| Wiring | connector; M12x1 eurocon |
| Vibration resistance | 55 Hz (1 mm) |
| Shock resistance | 30 x g (11 ms) |

Switching status indication LED; yellow

3-wire DC, 10-30VDC
Normally open, PNP-output
Connector, M12x1 eurocon

Wiring diagram



Function principles

Inductive sensors serve for wear-free and non contact detection of metal objects. Uprox Factor 1-sensors have considerable advantages because of their patented fer-rite-less 3-coil system. They detect all metals with the same operating distance, are magnetic field immune and have high operating distances.

Inductive Sensor uproX®

Ni20U-EM30H-AP6X-H1141

Mounting accessories

| Typ | Ident-No. | Text | Dimension drawing |
|---------|-----------|---|-------------------|
| SKN/M30 | 69664 | Protective teflon caps; Material PTFE; For use in welding facilities and grinding machines with strong sparking | |
| QM-30 | 6945103 | Fixing clamps; Material: chrome-plated brass | |
| BST-30B | 6947216 | Fixing clamps; Material: PA6 | |