



Printed Circuit Board Modular Jacks

Through-Hole Side Entry Low Profile

Product Facts

- Meets or exceeds FCC Part 68 rules and regulations; REA PE-76; and UL 1863, Communication Circuit Accessories
- Meets 1000 volt dielectric requirement
- Designed for direct mounting on pc boards
- Designed for ease of soldering and board cleaning
- Selectively gold plated contacts for lower cost
- All jacks are UL 94V-0 flame retardant polyester, standard color black, unless specified otherwise

- Listed by Underwriters Laboratories Inc., File No. E81956 

- Certified by Canadian Standards Association, File No. LR 7189 

Specifications

Electrical:

Current Rating - 1.5 amp max. @ 25°C, derated to 0.2 amp max. @ 70°C ambient

Voltage Rating - 150 volts ac max.

Dielectric Withstanding Voltage - 1000 VAC, RMS, 60 Hz, 1 min.

Insulation Resistance - 500 megohms min.

Surge Test - to 1000 volts

Mechanical:

Pc Board Retention - will not dislodge from pc board when subjected to 1 lb [4.4N] pull before soldering and 10 lbs [44N] pull after soldering

Durability - 750 mating cycles

Technical Documents

Application Specification

114-02048

Product Specification

108-01163

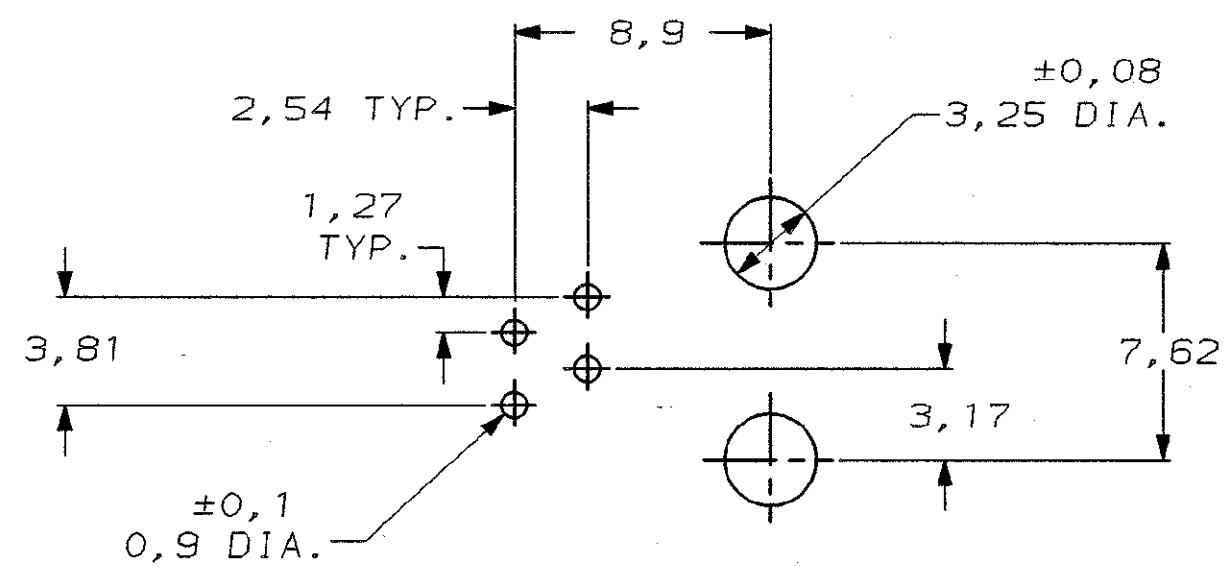
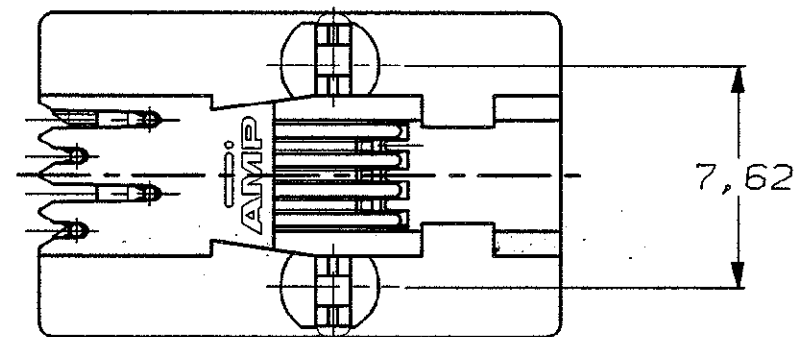
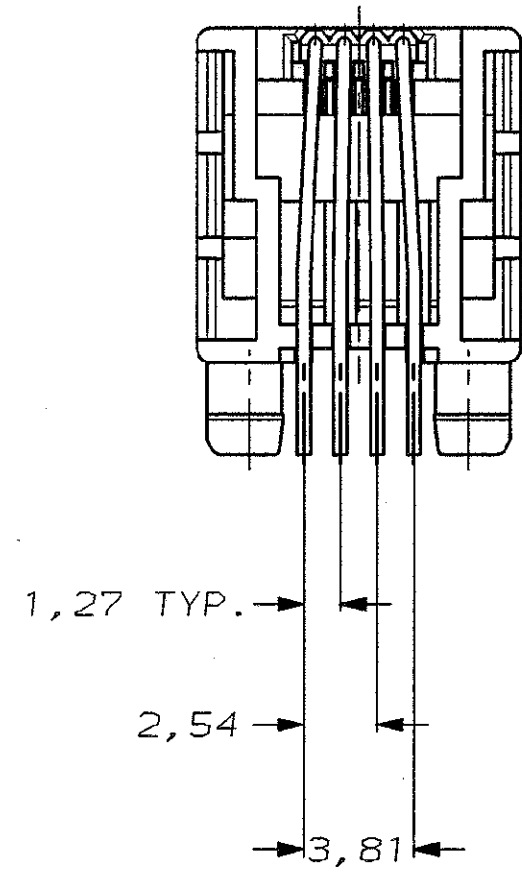
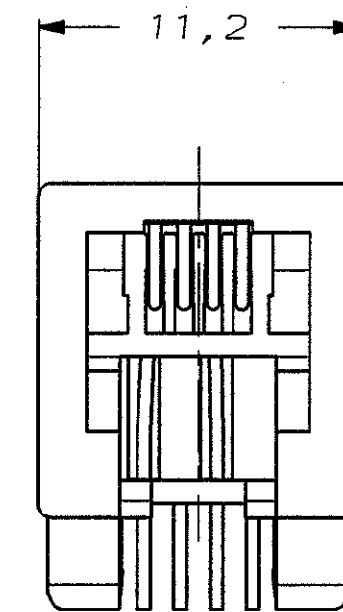
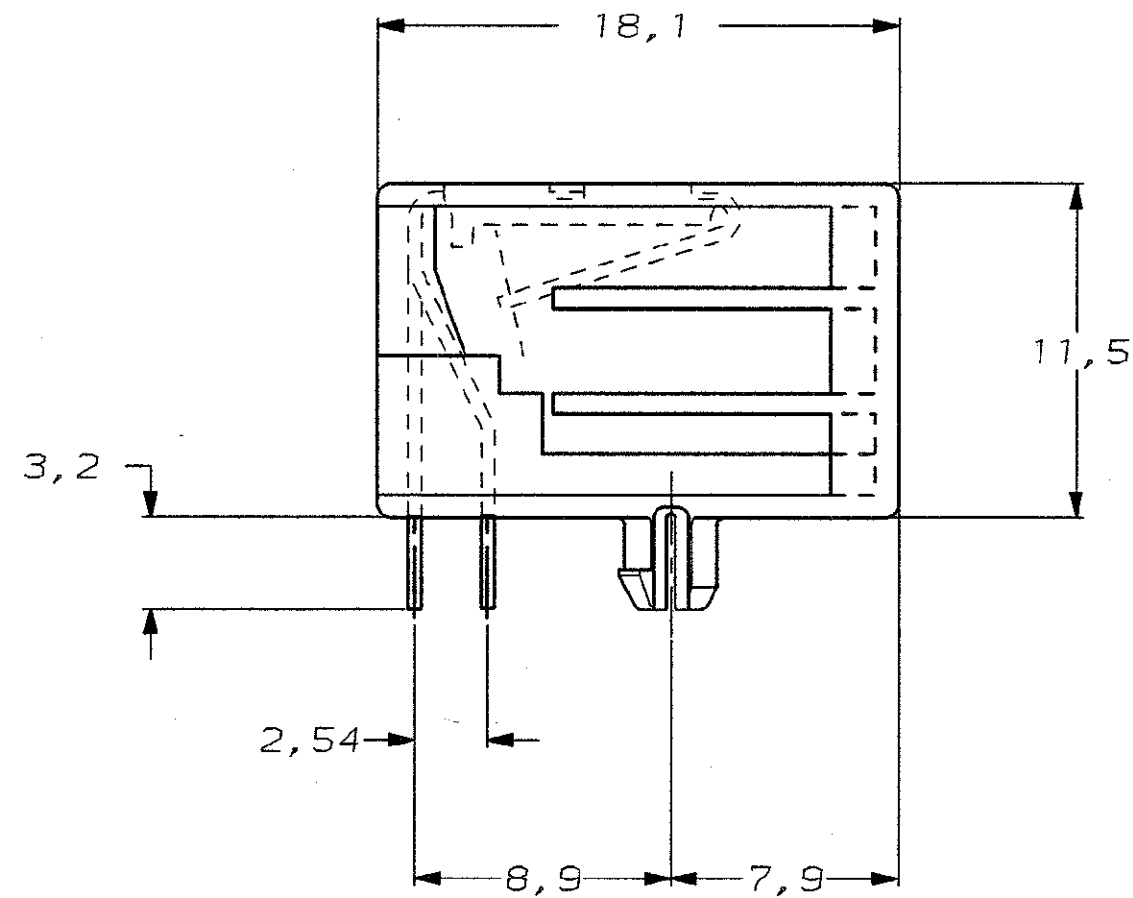
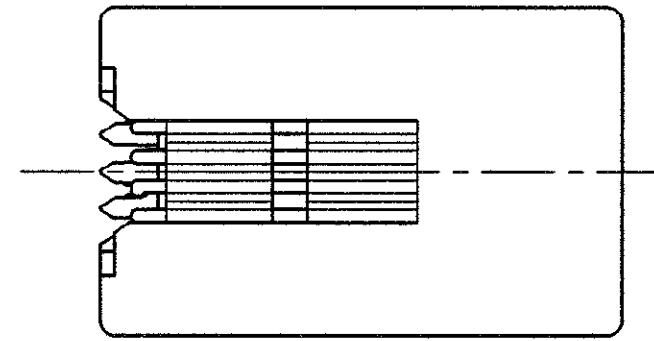
DO NOT SCALE
DIMENSIONS IN mm

METRIC

THIRD ANGLE
PROJECTION

NOTES:

- 1 FOR APPLICATION INFORMATION SEE AMP SPEC. 114-19019.
- 2 FOR PERFORMANCE REQUIREMENTS SEE AMP SPEC. 108-19054.
- 3 TOLERANCES UNLESS OTHERWISE SPECIFIED: $\pm 0,15$.
- 4 BULK PACKAGING: TRUE POSITIONING OF THE SOLDER TINES IS NOT GUARANTEED.



PRINTED CIRCUIT BOARD LAYOUT

[VIEW SHOWN IS CIRCUIT (NONCOMPONENT) SIDE OF BOARD.]
PRINTED CIRCUIT BOARD THICKNESS: 1,6 mm NOMINAL.
TOLERANCES UNLESS OTHERWISE SPECIFIED: $\pm 0,05$

IN CONTACT AREA: 1,2µm MIN. SEL. GOLD OVER 1,2µm MIN. NICKEL. SOLDER TINES: 2,5µm MIN. TIN-LEAD OVER 1,2µm MIN. NICKEL.	HOUSING, COLOR BLACK; PBT 20% GF, UL 94V-0 CONTACT INSERT: PBT, UL 94V-0 CONTACTS: PH. BRONZE	PACKAGED 50 PCS IN ONE TUBE	3-215875-1
		BULK PACKAGED IN A BOX $\triangle 4$	2-215875-1
		126 PIECES IN MULTI-TUBE	1-215875-1
		TAPE MOUNTED 1000 PCS./REEL	215875-1
FINISH	MATERIAL	PACKAGING	PARTNUMBER

CUSTOMER DRAWING				FOR REFERENCE ONLY WILL NOT BE UPDATED							
P	EH-0402-97	EVE	MVE	18 APR 97	© COPYRIGHT 19- BY AMP HOLLAND B.V.						
N	EH-0530-96	G.C	G.C	25-04-96	ALL INTERNATIONAL RIGHTS RESERVED. AMP PRODUCTS MAY BE COVERED BY U.S. AND FOREIGN AND/OR PATENTS PENDING.						
M	EH-1287-95	G.C	G.C	28-10-95	THIS DRAWING IS UNPUBLISHED RELEASED FOR PUBLICATION						
L	H-7677	C.S	C.S	27-02-95	AMP AMP HOLLAND B.V. s-Hertogenbosch, The Netherlands.						
K	H-7677	G.C	J.T.	15-02-95							
J	H-7677	DK	J.T.	15-01-92	NAME						
LTR.	REVISION RECORD	DR.	CHK.	DATE	MODULAR JACK SIDE ENTRY 4/4 FOR PRINTED CIRCUIT BOARD.						
DR.:	J.V.LIEMPT.	CHK.:	J.TUIN.	APP.:	L.V.SOEST.	DWG.No.	C-215875	REV.LTR.	SHEET	1 of 1	A2
DATE:	15 OKT 1991	DATE:		DATE:	03-02-92						

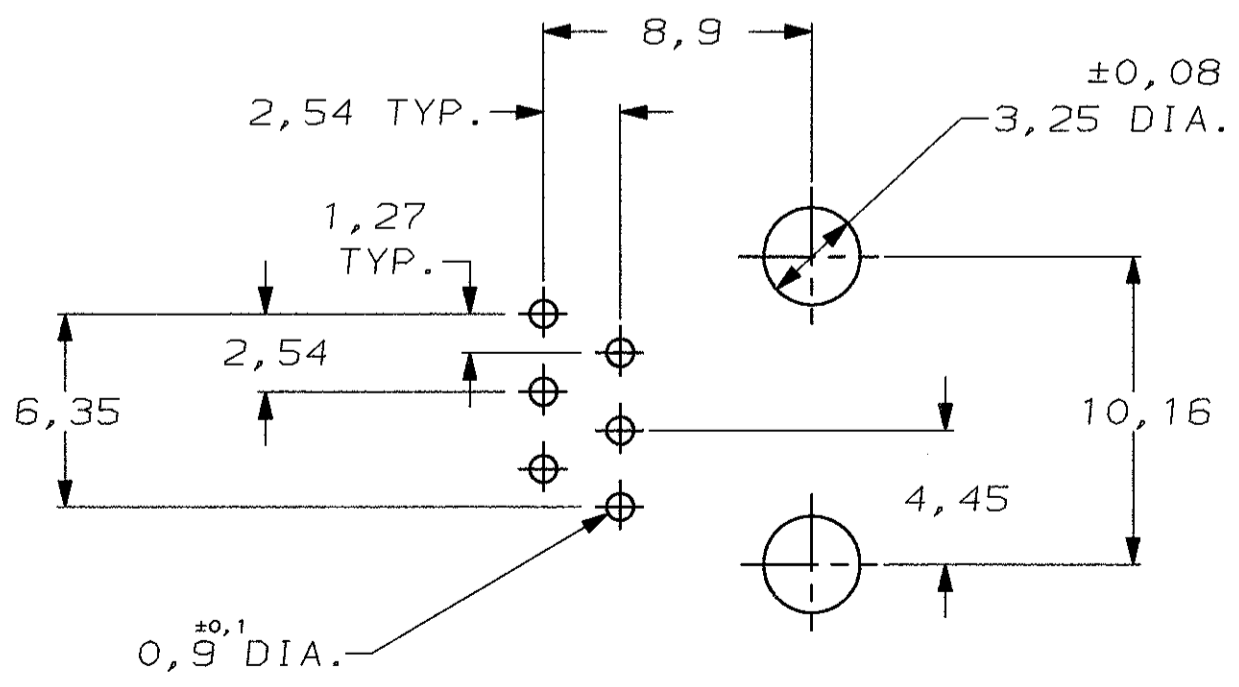
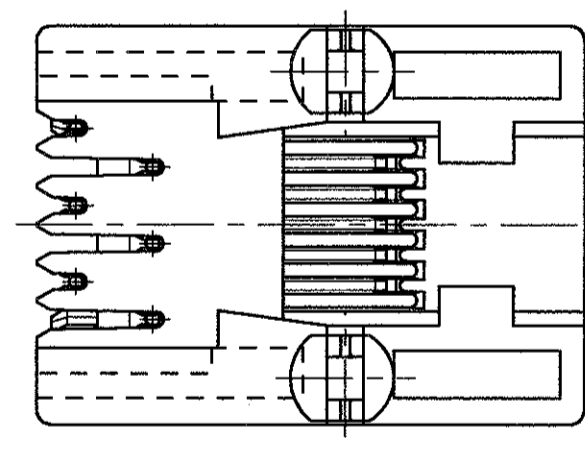
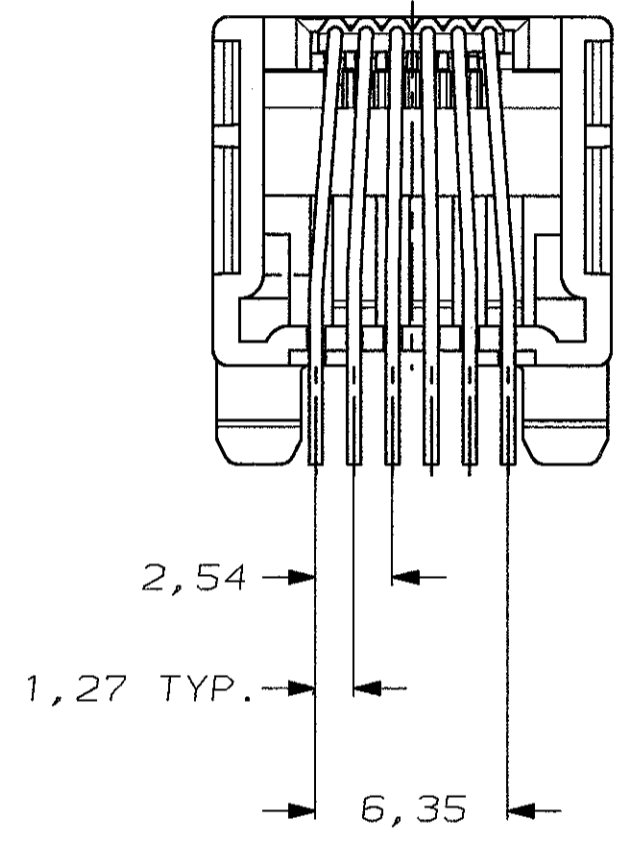
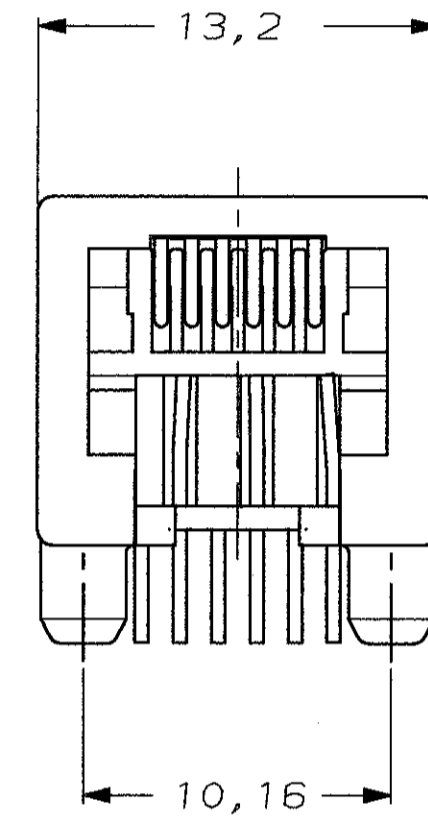
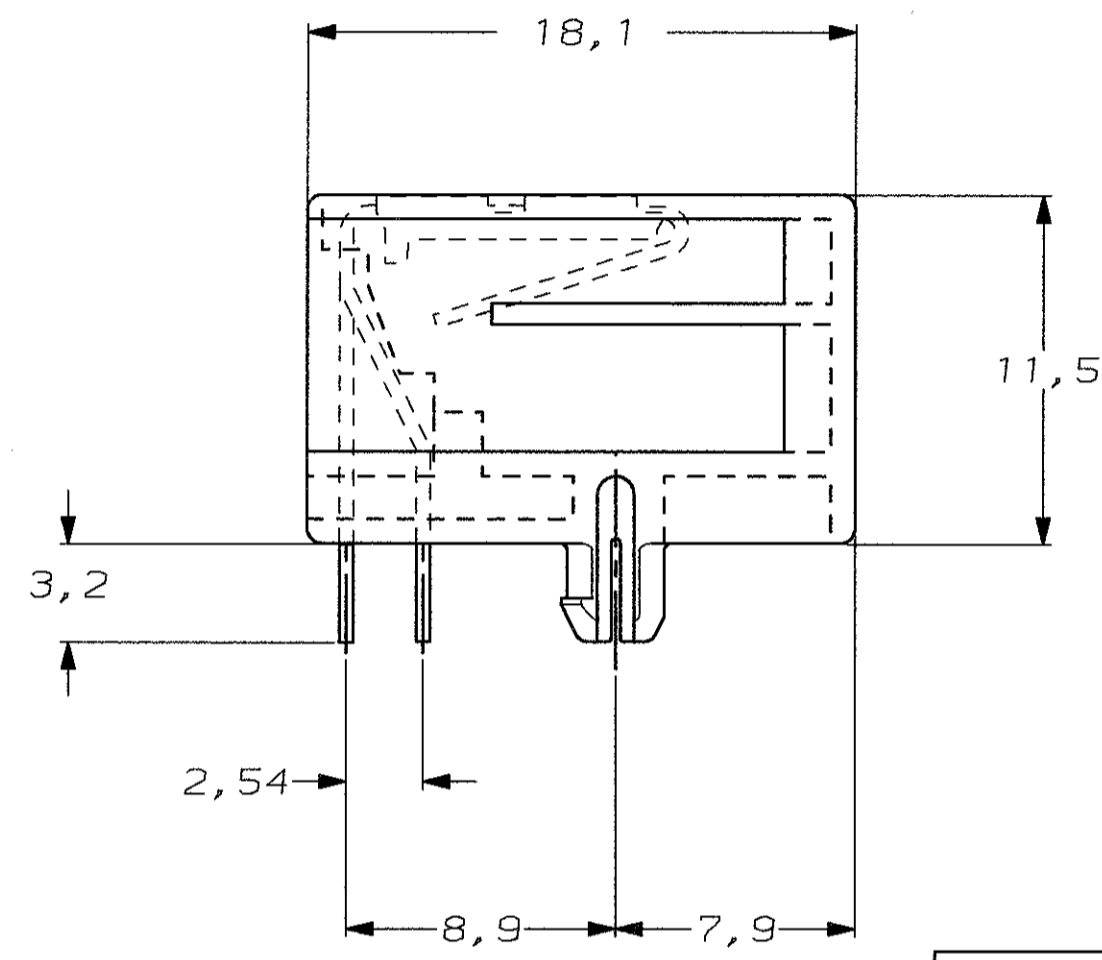
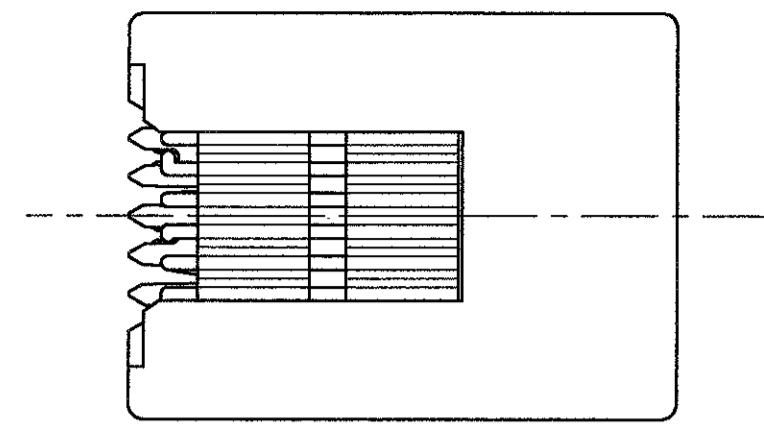
DO NOT SCALE
DIMENSIONS IN mm

METRIC

THIRD ANGLE
PROJECTION

NOTES:

- 1 SEE SHEET 2 FOR MODULAR JACK 6 POS./4 CONTACTS.
- 2 FOR APPLICATION INFORMATION SEE AMP SPEC. 114-19019.
- 3 FOR PERFORMANCE REQUIREMENTS SEE AMP SPEC. 108-19064.
- 4 TOLERANCES UNLESS OTHERWISE SPECIFIED: $\pm 0,15$
- △ TRUE POSITIONING WILL NOT BE GUARANTEED, USING THIS PACKAGING TYPE.



PRINTED CIRCUIT BOARD LAYOUT (6 POS./6 CONTACTS)

[VIEW SHOWN IS CIRCUIT (NONCOMPONENT) SIDE OF BOARD.]

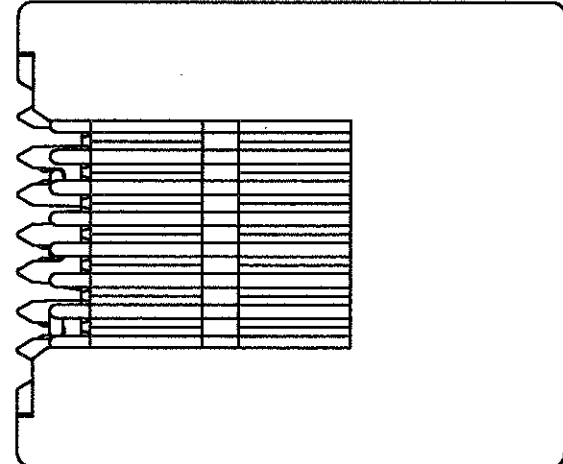
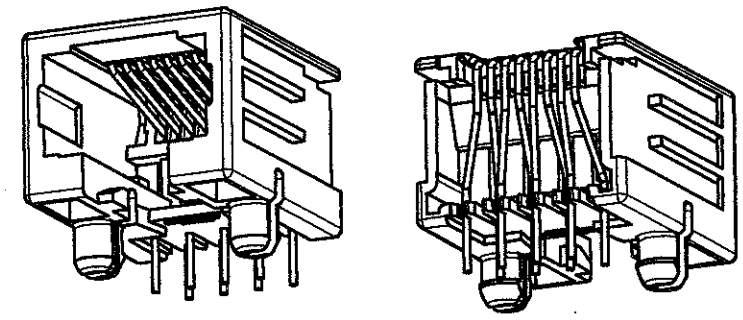
PRINTED CIRCUIT BOARD THICKNESS: 1,6 mm NOMINAL.
TOLERANCES UNLESS OTHERWISE SPECIFIED: $\pm 0,05$

250 PIECES IN TRAY	6 POS./6 CONTACTS	IN CONTACT AREA: 1,2 μ m MIN. SEL. GOLD OVER 1,2 μ m MIN. NICKEL. SOLDER TINES: 2,5 μ m MIN. TIN-LEAD OVER 1,2 μ m MIN. NICKEL.	HOUSING COLOR BLACK; HOUSING AND CONTACT INSERT: RE-FLOW TEMPERATURE RESISTANT PA 4.6, UL 94V-0 CONTACTS: Ph BRONZE	2-215876-0
TAPE MOUNTED 800 PCS./REEL			HOUSING COLOR BLACK; PBT, UL 94 V-0 CONTACT INSERT: PBT, UL 94V-0 CONTACTS: Ph BRONZE	1-215876-0
BULK PACKED △ 1000 PCS IN ONE BOX			HOUSING COLOR BLACK; PBT, UL 94 V-0 CONTACT INSERT: PBT, UL 94V-0 CONTACTS: Ph BRONZE	3-215876-1
250 PIECES IN TRAY				1-215876-3
108 PIECES IN MULTI-TUBE				1-215876-1
TAPE MOUNTED 800 PCS./REEL				215876-1
PACKAGING	REMARKS	FINISH	MATERIAL	ORDER NUMBER

CUSTOMER DRAWING				FOR REFERENCE ONLY WILL NOT BE UPDATED.	
© COPYRIGHT 19- BY AMP HOLLAND B.V.				ALL INTERNATIONAL RIGHTS RESERVED. AMP PRODUCTS MAY BE COVERED BY U.S. AND FOREIGN AND/OR PATENTS PENDING.	
THIS DRAWING IS UNPUBLISHED				RELEASED FOR PUBLICATION	
U	EH-1641-98	EVE	MVE	15 OCT 96	
T	EH-0304-97	EVE	MVE	27 FEB 97	
S	EH-0995-96	GC	GC	24 SEP 96	
R	H-7677	R.D.	JT	29-04-94	
LTR.	REVISION RECORD	DR.	CHK.	DATE	
DR.	G. CONSTANT	CHK.	G. CONSTANT	APP.	R. SHEETS
DATE:	24 SEP 96	DATE:	24 SEP 96	DATE:	-
DWG. No.			REV. LTR.		
C-215876			U		
SHEET			1 OF 3		
A2					

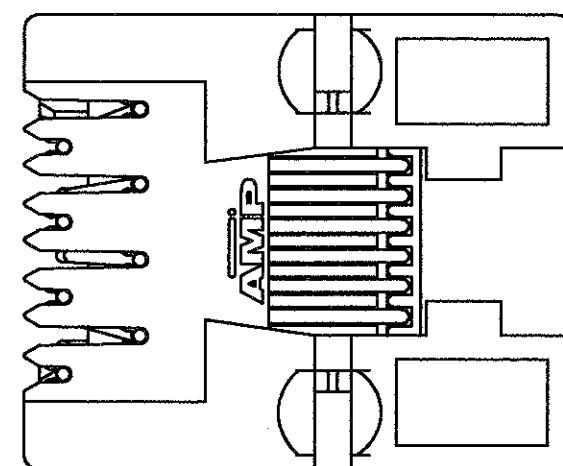
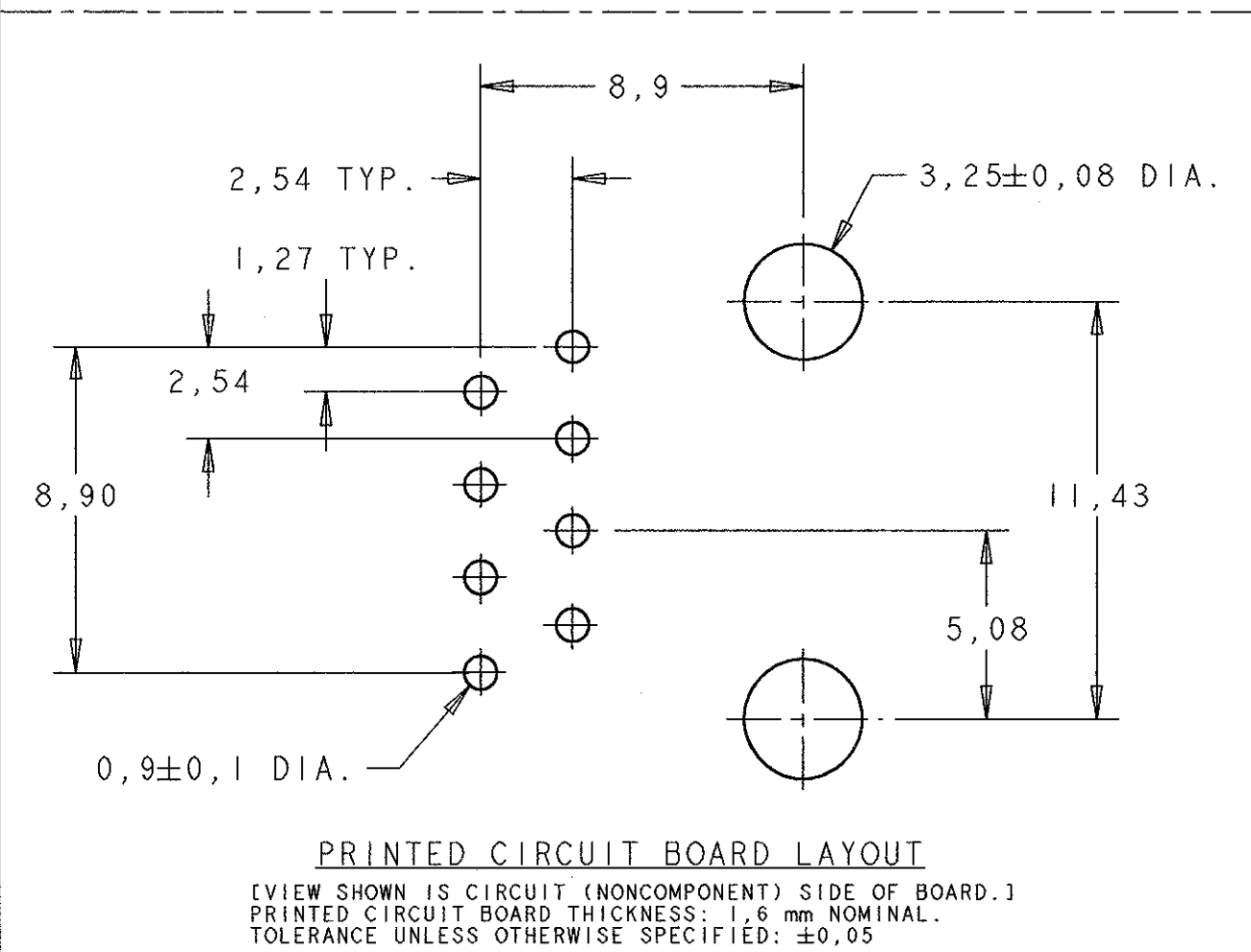
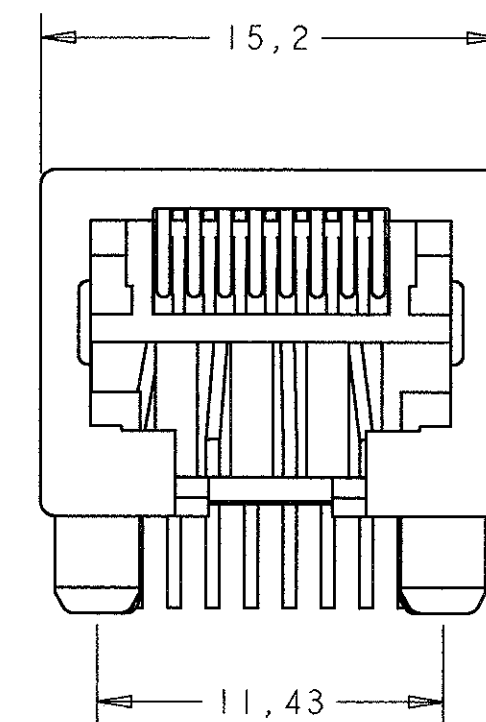
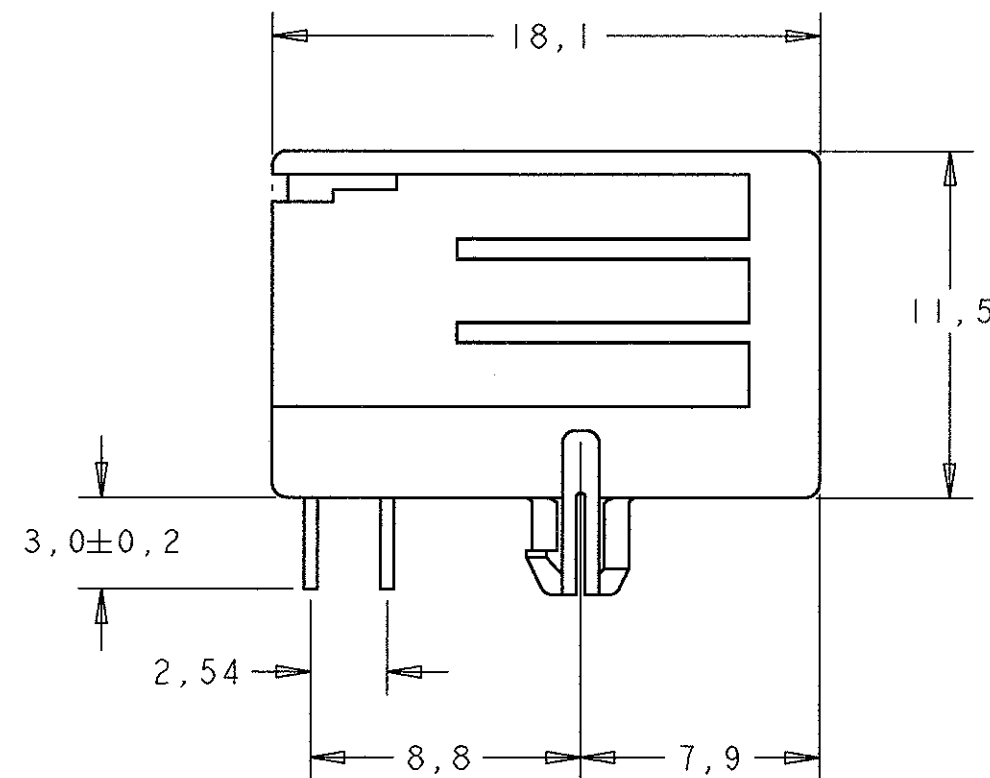
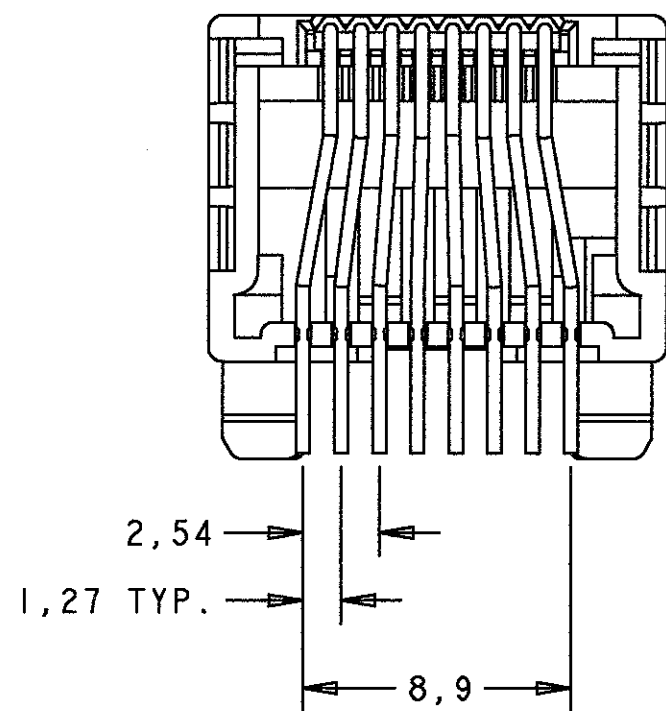
THIS DRAWING IS UNPUBLISHED. RELEASED FOR PUBLICATION DATE: -
 BY AMP HOLLAND B.V. ALL RIGHTS RESERVED.

LOC	DIST	REVISIONS			
		LTR	DESCRIPTION	DATE	APVD
H	-	U	EH-0667-97	6 AUG 97	MvE
		V	EH-1044-97	14 OCT 97	MvE
		Y	EH-0966-98	29 JUN 98	MvE
		Z	EH-2155-98	11 DEC 98	MvE



NOTES:

- 1 TOLERANCE UNLESS OTHERWISE SPECIFIED: $\pm 0,15$.
- 2 FOR THIS PACKAGING METHOD THE TRUE POSITION OF THE SOLDER TINES IS NOT GUARANTEED.



PACKAGING	REMARKS	FINISH	MATERIAL	ORDER NUMBER
1000 PIECES BULK PACKAGED	8 POS. / 8 CONTACTS	IN CONTACT AREA: 1,2 um MIN. SEL. GOLD OVER 1,2um MIN. NICKEL. SOLDER TINES: 2,5 um MIN. TIN-LEAD OVER 1,2 um MIN. NICKEL.	HOUSING COLOR: BLACK PBT, UL 94V-0 CONTACT INSERT: PBT, UL 94V-0 CONTACTS: PH BRONZE	2-215877-1
200 PIECES IN A TRAY				1-215877-3
90 PIECES IN MULTI-TUBE				1-215877-1
TAPE MOUNTED 700 PCS./REEL				215877-1

THIS DRAWING IS A CONTROLLED DOCUMENT FOR AMP HOLLAND B.V. IT IS SUBJECT TO CHANGE AND THE CONTROLLING ENGINEERING ORGANIZATION SHOULD BE CONTACTED FOR THE LATEST REVISION.		DWN	E.v.EIJK		 's-Hertogenbosch, The Netherlands
DIMENSIONS: mm 		CHK	M.VESSEN		
TOLERANCES UNLESS OTHERWISE SPECIFIED: 0 PLC ± - 1 PLC ± - 2 PLC ± - 3 PLC ± - 4 PLC ± - ANGLES ± 0,2° FINISH		APVD	R. SMEETS		NAME
MATERIAL		PRODUCT SPEC	108-19064		MODULAR JACK SIDE ENTRY, 8 POS., FOR PRINTED CIRCUIT BOARD.
		APPLICATION SPEC	114-19019		SIZE
		WEIGHT	-		CAGE CODE
			A2 00779		DRAWING NO
			C-215877		SCALE 4:1 SHEET 1 OF 1 REV Z