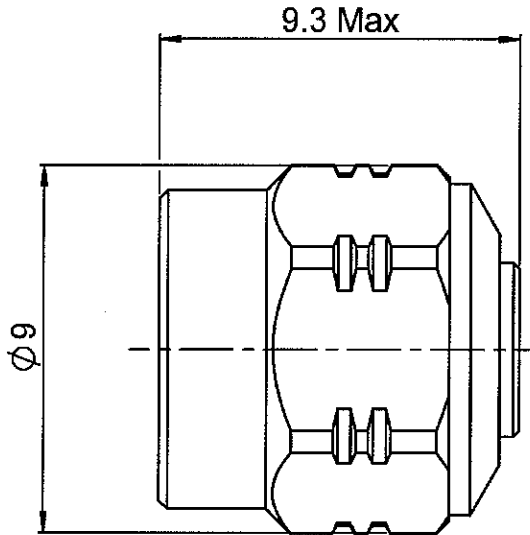


**COAXIAL TERMINATION SMA MALE**

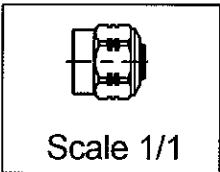
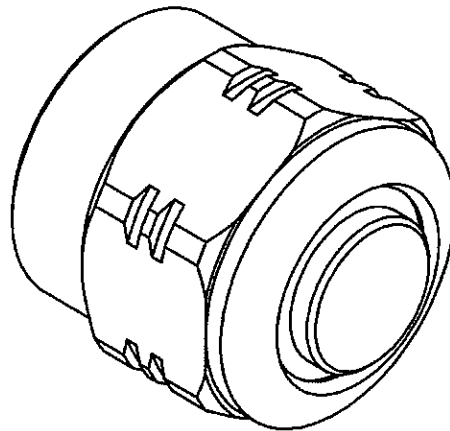
**1W 4GHZ PACK 500**

**R404.101.000**

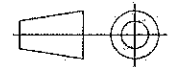
Series : **CHARGE**



Packaging by : 500  
 Single packaging : W option  
 Other : Contact us



dimensions are in mm.



COMPONENTS	MATERIALS	PLATINGS (µm)
BODY	BRASS	NICKEL 2
CENTER CONTACT	BRASS	GOLD 0.5 OVER NICKEL 2
OUTER CONTACT		
INSULATOR	PTFE	
GASKET	SILICONE RUBBER	
OTHERS PARTS	BRASS	BBR 2

Issue : 0449 E

In the effort to improve our products, we reserve the right to make changes judged to be necessary.



**COAXIAL TERMINATION SMA MALE**

**1W 4GHZ PACK 500**

**R404.101.000**

Series : **CHARGE**

**ELECTRICAL CHARACTERISTICS**

Frequency	DC-1	GHz	1-4	GHz	GHz	GHz	GHz
V.S.W.R	≤1.08		≤1.20		≤	≤	≤

Impedance 50 Ω  
 Average power at 25°C 1 W  
 Peak power at 25°C 100 W

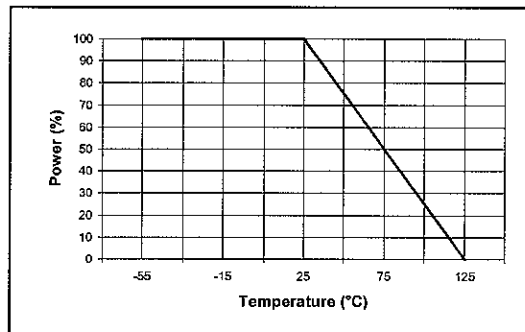
**MECHANICAL CHARACTERISTICS**

Connectors SMA Male  
 Coupling torque 60 N.cm  
 Mating life 100 Cycles mini.  
 Weight 1.000 g

**ENVIRONMENTAL**

Operating temperature range -55/+125 °C  
 Storage temperature range -55/+125 °C

Power derating  
 Versus temperature



**SPECIFICATION**

**OTHER CHARACTERISTICS**

