

# INDUSTRIAL CONTROLS

A

B

C

D

E

F

G

H

I

J

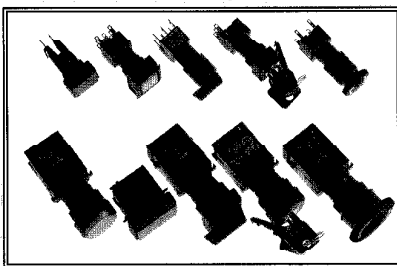
K

L

M

N

## SECTION L



**A01** Pushbutton switches, indicators, rotary lever switches, keylock switches and emergency stop switches - panel cut-out  $\varnothing$  16 (.630) **New !** L 2

**A02** Pushbutton switches, indicators, rotary lever switches, keylock switches and emergency stop switches - panel cut-out  $\varnothing$  22 (.866) or 29,5 x 21,5 (1.160 x .846) **New !** L II

# A01 - A02 SERIES

## INDUSTRIAL CONTROLS

### Distinctive features

The A01 and A02 series offer ranges of :

- pushbutton switches, illuminated or not
- indicators
- 2 or 3 position keylock switches
- 2 or 3 position rotary lever switches
- emergency stop switches

with rectangular, square or round operators.

- Environmental protection : IP65
- Modular construction
- Electrical life : 50.000 cycles min.
- Screen engraving or insertable legends on request

Approvals



UL 1054



CSA 22.2



VDE 0630



CEE 24



Each sub-assembly has to be ordered separately.

#### A01 series

- Panel cut-out : Ø 16 mm (.630)
- 1, 2, 3 and 4 poles
- Solder lug/quick-connect terminals
- Contacts : silver, gold plated
- Current/voltage rating :  
6A 250VAC max. - 10mA 5VAC min.
- Lamp : filament, neon or multi-chip LED

#### A02 series

- Panel cut-out :  
- round or square : Ø 22 mm (.866)  
- rectangular : 29,5 x 21,5 mm (1.160x.846)
- 1 and 2 poles
- Screw terminals
- Contacts : silver
- Current/voltage rating :  
12A 380VAC - 16A 250VAC max.  
25mA 5VAC min.
- Lamp : filament, neon, multi-chip LED  
or special multi-LED array

Option : end cap terminal guard. Order separately (see end of A02 series).

**Packaging unit :** A01 series : 25 pieces - A02 series : 10 pieces

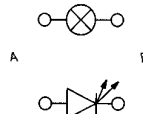
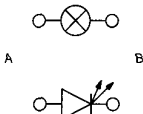
**Dimensions :** first dimensions are in mm while inches are shown as bracketted numbers.

L

# A01 - A02 SERIES

## INDUSTRIAL CONTROLS

### Specifications

| ELECTRICAL SPECIFICATIONS  |   |  |
|--|---|--|
|  | <b>A01</b>  | <b>A02</b>   |
| <ul style="list-style-type: none"> <li>• <b>Function :</b></li> <li>• <b>Current/voltage rating :</b></li> <li>• <b>Contact gap</b></li> <li>• <b>Initial contact resistance :</b></li> <li>• <b>Insulation resistance :</b></li> <li>• <b>Dielectric strength :</b></li> <li>• <b>Electrical life :</b></li> <li>• <b>Insulation :</b></li> <li>• <b>Lamp life :</b></li> </ul> | <p>Momentary<br/>or alternate action</p> <p>10mA 5VAC min.<br/>6A 250VAC max.</p> <p>1,5 mm (.059)</p> <p>10mΩ max. at 1A 4VDC</p> <p>50 MΩ min.</p> <p>750V between open contacts<br/>5KV live to accessible</p> <p>50.000 cycles min.</p> <p>Class 2</p> <p>LED : 60.000 h min. to 75% relative<br/>luminosity - Filament : approx. 5.000 h<br/>Neon : approx. 10.000 h</p> | <p>Momentary<br/>or alternate action</p> <p>25mA 5VAC min.<br/>12A 380VAC - 16A 250VAC max.</p> <p>Double break 2 x 1,5 mm (.059)</p> <p>10mΩ max. at 1A 4VDC</p> <p>50 MΩ min.</p> <p>2KV between open contacts<br/>4KV live to accessible</p> <p>50.000 cycles min.</p> <p>Class 2</p> <p>LED : 60.000 h min. to 75 % relative<br/>luminosity - Filament : approx. 5.000 h<br/>Neon : approx. 10.000 h</p> |
| <ul style="list-style-type: none"> <li>• <b>Lamp circuit diagrams</b></li> </ul>   |    |   |

| GENERAL SPECIFICATIONS  |  |  |
|---|--|--|
|   | <b>A01</b>   | <b>A02</b>   |
| <ul style="list-style-type: none"> <li>• <b>Min. mechanical life :</b></li> <li>• <b>Operating force :</b></li> <li>• <b>Operating temperature :</b></li> <li>• <b>Solder heat resistance :</b><br/>(IEC 68-2-20Tb, method 2)</li> <li>• <b>Operating humidity :</b></li> <li>• <b>Degree of environmental protection (IEC 529 )</b></li> <li>• <b>Lamps :</b></li> <li>• <b>Switch terminals :</b></li> <li>• <b>Lamp terminals :</b></li> </ul> | <p>Momentary : 1 million cycles<br/>Alternate action : 100.000 cycles<br/>Keylock and rotary : 100.000 cycles</p> <p>2,5N - 10N<br/>depending on switch element fitted</p> <p>-20°C to +55°C</p> <p>350°C, 5 sec.</p> <p>Up to 95% RH</p> <p>IP 65 front of panel<br/>IP 40 back of panel</p> <p>Midget Grooved T1<sub>3/4</sub>,<br/>filament, multi-chip LED or neon</p> <p>Solder/quick-connect 2,8 mm (.110)</p> <p>Solder/quick-connect 2,8 mm (.110)</p> | <p>Momentary: 1 million cycles<br/>Alternate action : 100.000 cycles<br/>Keylock and rotary : 100.000 cycles</p> <p>3N - 15N<br/>depending on switch element fitted</p> <p>-20°C to +85°C</p> <p>350°C, 5 sec.</p> <p>Up to 95% RH</p> <p>IP 65 front of panel<br/>IP 40 back of panel</p> <p>Midget Grooved T1<sub>3/4</sub>,<br/>filament, multi-chip LED or neon<br/>Special multi-LED array</p> <p>M3 screws - wire 2 x 0,75 mm<sup>2</sup> max.</p> <p>M3 screws<br/>Flexible wire 2 x 2,5 mm<sup>2</sup> max.<br/>Rigid wire 4 mm<sup>2</sup> max.</p> |

For screen engraving or film legends, consult factory.



# A01 SERIES

## ILLUMINATED OR NON-ILLUMINATED PUSHBUTTON SWITCHES

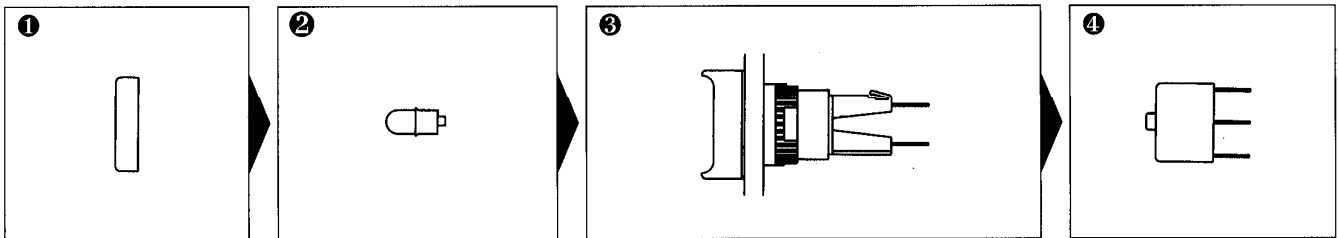
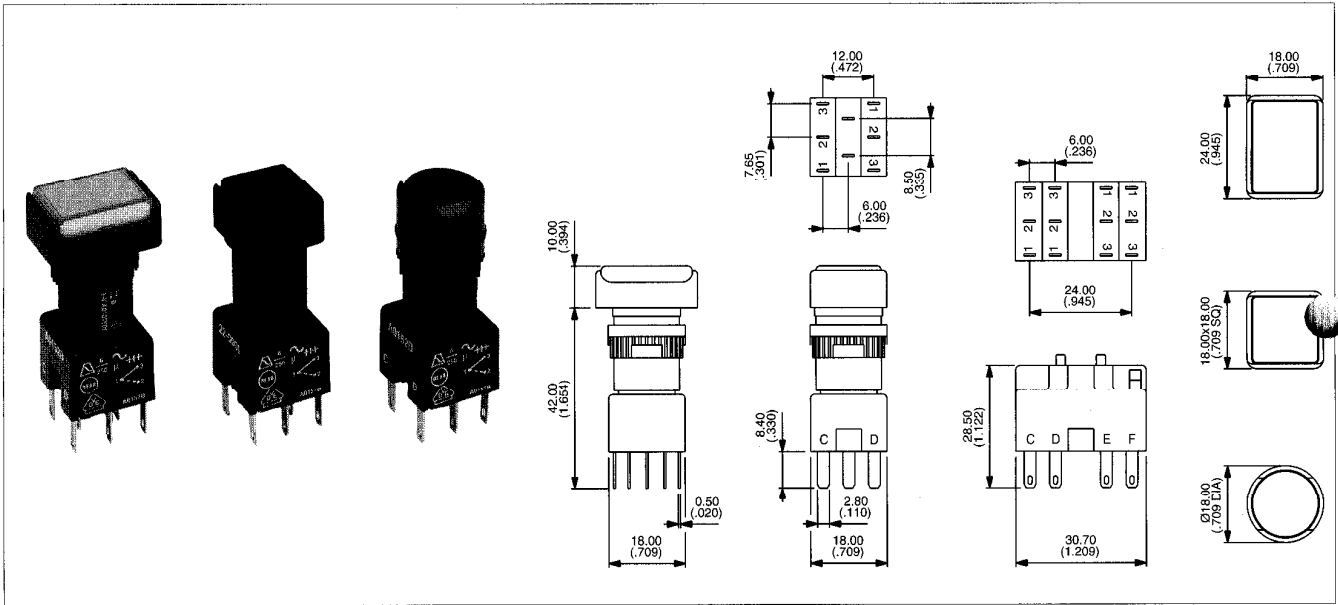
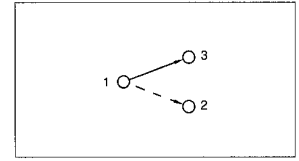
Panel cut-out Ø 16 (.630)

**A pushbutton assembly requires :**

screen + lamp (if illuminated) + operator + switch block.

To order these elements, select desired model numbers from tables below.

**Example :** rectangular pushbutton, single pole, maintained, red screen and 12V red LED = A0161B, A0142M1, A0101X and A0151B.



**Screen**

| Bezel | Colour | Part No |
|-------|--------|---------|
| □     | black  | A0161A  |
| □     | red    | A0161B  |
| □     | amber  | A0161C  |
| □     | yellow | A0161D  |
| □     | green  | A0161E  |
| □     | blue   | A0161F  |
| □     | clear  | A0161G  |
| □     | white  | A0161J  |
| □     | black  | A0162A  |
| □     | red    | A0162B  |
| □     | amber  | A0162C  |
| □     | yellow | A0162D  |
| □     | green  | A0162E  |
| □     | blue   | A0162F  |
| □     | clear  | A0162G  |
| □     | white  | A0162J  |
| □     | black  | A0163A  |
| □     | red    | A0163B  |
| □     | amber  | A0163C  |
| □     | yellow | A0163D  |
| □     | green  | A0163E  |
| □     | blue   | A0163F  |
| □     | clear  | A0163G  |
| □     | white  | A0163J  |

**Lamp**

| Lamp      | Voltage   | Part No |
|-----------|-----------|---------|
| Filament  | 6.3V      | A0141A  |
| Filament  | 14V       | A0141B  |
| Filament  | 28V       | A0141C  |
| Filament  | 36V       | A0141D  |
| Filament  | 48V       | A0141E  |
| Filament  | 60V       | A0141F  |
| Neon      | 110V      | A0143G  |
| Neon      | 220V      | A0143H  |
| Multi-LED | 6V red    | A0142L1 |
| Multi-LED | 6V green  | A0142L2 |
| Multi-LED | 6V amber  | A0142L3 |
| Multi-LED | 12V red   | A0142M1 |
| Multi-LED | 12V green | A0142M2 |
| Multi-LED | 12V amber | A0142M3 |
| Multi-LED | 12V blue  | A0142M4 |
| Multi-LED | 12V white | A0142M5 |
| Multi-LED | 24V red   | A0142N1 |
| Multi-LED | 24V green | A0142N2 |
| Multi-LED | 24V amber | A0142N3 |
| Multi-LED | 24V blue  | A0142N4 |
| Multi-LED | 24V white | A0142N5 |
| Multi-LED | 48V red   | A0142P1 |
| Multi-LED | 48V green | A0142P2 |
| Multi-LED | 48V amber | A0142P3 |

**Operator**

| Bezel | Description           |
|-------|-----------------------|
| □     | illum, momentary      |
| □     | illum, maintained     |
| □     | Non-illum, momentary  |
| □     | Non-illum, maintained |
| □     | illum, momentary      |
| □     | illum, maintained     |
| □     | Non-illum, momentary  |
| □     | Non-illum, maintained |
| □     | illum, momentary      |
| □     | illum, maintained     |
| □     | Non-illum, momentary  |
| □     | Non-illum, maintained |
| □     | illum, momentary      |
| □     | illum, maintained     |
| □     | Non-illum, momentary  |
| □     | Non-illum, maintained |
| □     | illum, momentary      |
| □     | illum, maintained     |
| □     | Non-illum, momentary  |
| □     | Non-illum, maintained |
| □     | illum, momentary      |
| □     | illum, maintained     |
| □     | Non-illum, momentary  |
| □     | Non-illum, maintained |

**Switch block**

| Part No | No of poles | Part No |
|---------|-------------|---------|
| A0101Y  | Single pole | A0151B  |
| A0101X  | Double pole | A0152B  |
| A0102Y  | Three pole  | A0155B  |
| A0102X  | Four pole   | A0153B  |
| A0103Y  |             |         |
| A0103X  |             |         |
| A0104Y  |             |         |
| A0104X  |             |         |
| A0105Y  |             |         |
| A0105X  |             |         |
| A0106Y  |             |         |
| A0106X  |             |         |
| A0107Y  |             |         |
| A0107X  |             |         |
| A0108Y  |             |         |
| A0108X  |             |         |
| A0109Y  |             |         |
| A0109X  |             |         |
| A0110Y  |             |         |
| A0110X  |             |         |
| A0111Y  |             |         |
| A0111X  |             |         |
| A0112Y  |             |         |
| A0112X  |             |         |

SCREEN ENGRAVING/INSERTABLE LEGENDS : contact APEM

Bezel: □ rectangular, □ square, ○ round, 'illum' - illuminated, 'Non-illum' - non illuminated

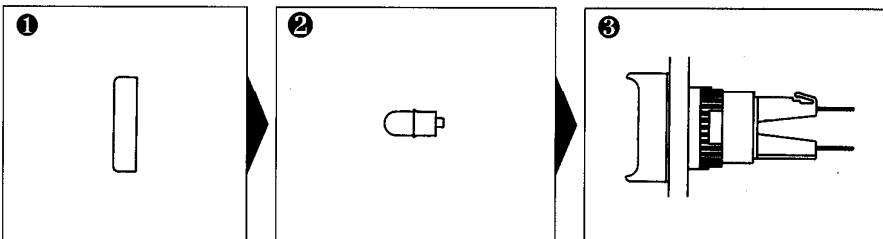
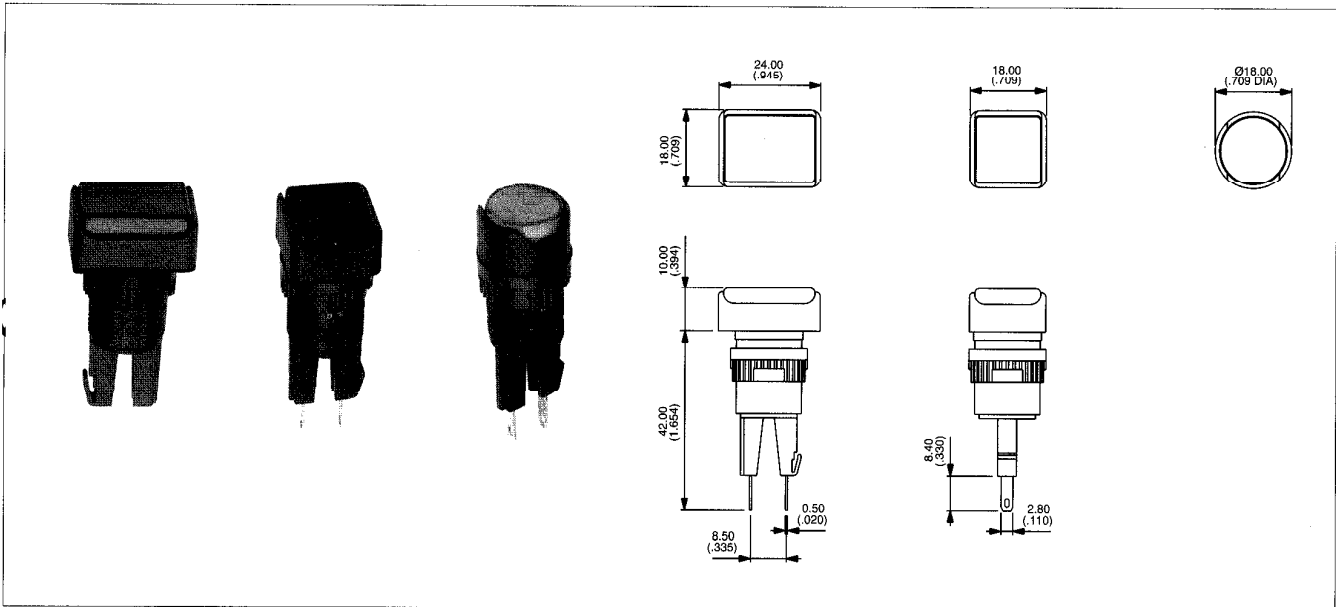
# A01 SERIES INDICATORS

Panel cut-out Ø 16 (.630)

An indicator assembly requires :  
screen + lamp + operator.

To order these elements, select desired model numbers from tables below.

**Example** : rectangular indicator with red screen and 12V red LED = A0161B, A0142M1 and A0171.



### Screen

| Bezel | Colour | Part No | Lamp      | Voltage   | Part No |
|-------|--------|---------|-----------|-----------|---------|
| □     | black  | A0161A  | Filament  | 6.3V      | A0141A  |
| □     | red    | A0161B  | Filament  | 14V       | A0141B  |
| □     | amber  | A0161C  | Filament  | 28V       | A0141C  |
| □     | yellow | A0161D  | Filament  | 36V       | A0141D  |
| □     | green  | A0161E  | Filament  | 48V       | A0141E  |
| □     | blue   | A0161F  | Filament  | 60V       | A0141F  |
| □     | clear  | A0161G  | Neon      | 110V      | A0143G  |
| □     | white  | A0161J  | Neon      | 220V      | A0143H  |
| □     | black  | A0162A  | Multi-LED | 6V red    | A0142L1 |
| □     | red    | A0162B  | Multi-LED | 6V green  | A0142L2 |
| □     | amber  | A0162C  | Multi-LED | 6V amber  | A0142L3 |
| □     | yellow | A0162D  | Multi-LED | 12V red   | A0142M1 |
| □     | green  | A0162E  | Multi-LED | 12V green | A0142M2 |
| □     | blue   | A0162F  | Multi-LED | 12V amber | A0142M3 |
| □     | clear  | A0162G  | Multi-LED | 12V blue  | A0142M4 |
| □     | white  | A0162J  | Multi-LED | 12V white | A0142M5 |
| ○     | black  | A0163A  | Multi-LED | 24V red   | A0142N1 |
| ○     | red    | A0163B  | Multi-LED | 24V green | A0142N2 |
| ○     | amber  | A0163C  | Multi-LED | 24V amber | A0142N3 |
| ○     | yellow | A0163D  | Multi-LED | 24V blue  | A0142N4 |
| ○     | green  | A0163E  | Multi-LED | 24V white | A0142N5 |
| ○     | blue   | A0163F  | Multi-LED | 48V red   | A0142P1 |
| ○     | clear  | A0163G  | Multi-LED | 48V green | A0142P2 |
| ○     | white  | A0163J  | Multi-LED | 48V amber | A0142P3 |

### Operator

| Bezel | Description | Part No |
|-------|-------------|---------|
| □     | Indicator   | A0171   |
| □     | Indicator   | A0172   |
| ○     | Indicator   | A0173   |

SCREEN ENGRAVING / INSERTABLE LEGENDS : contact APEM

Bezel: □ rectangular, □ square, ○ round



# A01 SERIES

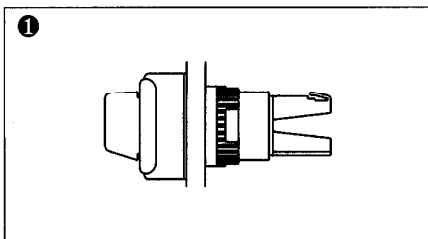
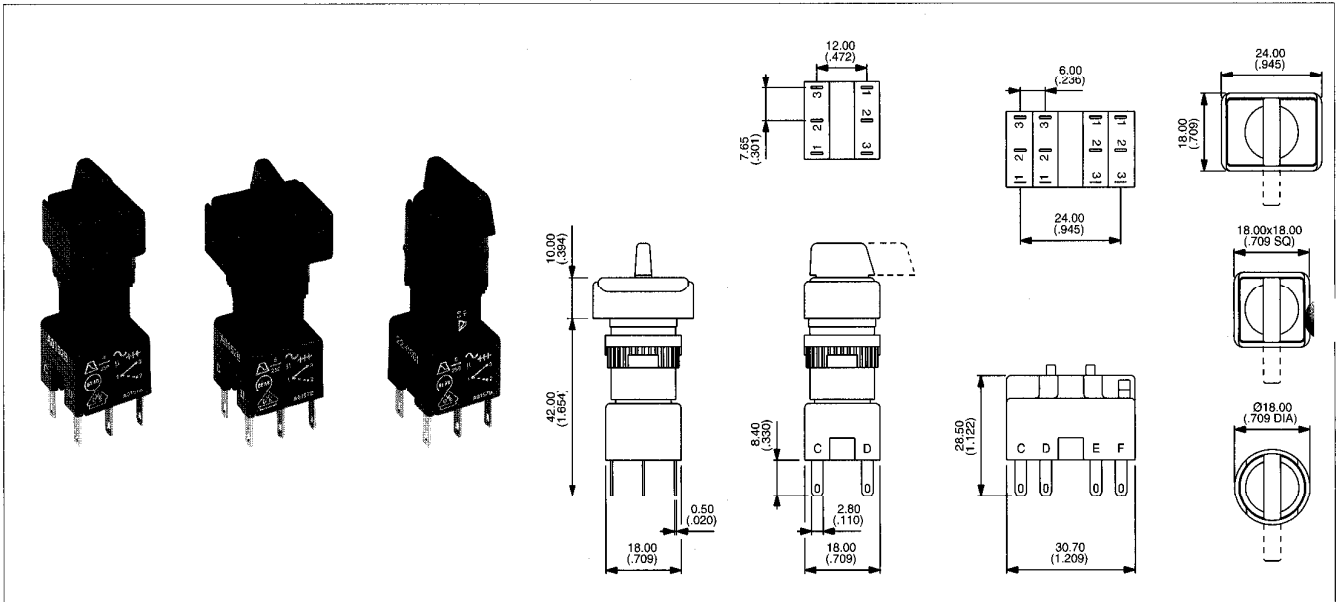
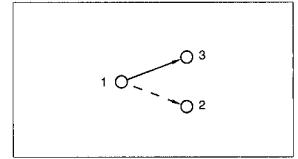
## ROTARY LEVER SWITCHES

Panel cut-out Ø 16 (.630)

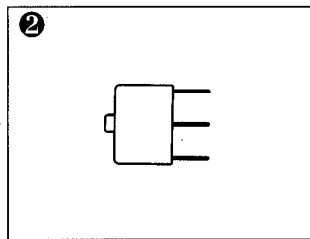
A rotary lever switch assembly requires :  
operator + switch block.

To order these elements, select desired model numbers from tables below.

**Example** : rectangular rotary switch with long lever, clockwise rotation, single pole, 2 positions, maintained = A019109 and A0151B.

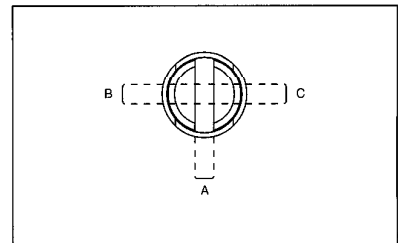


**Operator**



**Switch block**

### Lever Positions



| Pole   | Bezel | Description        | Short lever | Long lever | No of poles | Part No |
|--------|-------|--------------------|-------------|------------|-------------|---------|
| 1 or 2 | □     | 2 pos. maintained  | A019209     | A019109•   | Single pole | A0151B  |
| 1 or 2 | □     | 2 pos. momentary   | A019210     | A019110•   | Double pole | A0152B  |
| 3 or 4 | □     | 2 pos. maintained  | A019211     | A019111•   | Three pole  | A0155B  |
| 3 or 4 | □     | 2 pos. momentary   | A019212     | A019112•   | four pole   | A0153B  |
| 1 or 2 | □     | 3 pos. maintained  | A019205     | A019105    |             |         |
| 1 or 2 | □     | 3 pos. momentary   | A019206     | A019106    |             |         |
| 1 or 2 | □     | 3 pos. mainL, momR | A019207     | A019107    |             |         |
| 1 or 2 | □     | 3 pos. momL, mainR | A019208     | A019108    |             |         |
| 1 or 2 | □     | 2 pos. maintained  | A019409     | A019309•   |             |         |
| 1 or 2 | □     | 2 pos. momentary   | A019410     | A019310•   |             |         |
| 3 or 4 | □     | 2 pos. maintained  | A019411     | A019311•   |             |         |
| 3 or 4 | □     | 2 pos. momentary   | A019412     | A019312•   |             |         |
| 1 or 2 | □     | 3 pos. maintained  | A019405     | A019305    |             |         |
| 1 or 2 | □     | 3 pos. momentary   | A019406     | A019306    |             |         |
| 1 or 2 | □     | 3 pos. mainL, momR | A019407     | A019307    |             |         |
| 1 or 2 | □     | 3 pos. momL, mainR | A019408     | A019308    |             |         |
| 1 or 2 | □     | 2 pos. maintained  | A019609     | A019509•   |             |         |
| 1 or 2 | □     | 2 pos. momentary   | A019610     | A019510•   |             |         |
| 3 or 4 | □     | 2 pos. maintained  | A019611     | A019511•   |             |         |
| 3 or 4 | □     | 2 pos. momentary   | A019612     | A019512•   |             |         |
| 1 or 2 | ○     | 3 pos. maintained  | A019605     | A019505    |             |         |
| 1 or 2 | ○     | 3 pos. momentary   | A019606     | A019506    |             |         |
| 1 or 2 | ○     | 3 pos. mainL, momR | A019607     | A019507    |             |         |
| 1 or 2 | ○     | 3 pos. momL, mainR | A019608     | A019508    |             |         |

### • Lever Rotation - 2 position switches

The model numbers shown are for switches with clockwise lever rotation.

For anticlockwise rotation, replace :

|    |      |    |
|----|------|----|
| 09 | with | 01 |
| 10 | with | 02 |
| 11 | with | 03 |
| 12 | with | 04 |

at the end of the model number.

Bezel: □ rectangular, □ square, ○ round, 'pos' - position, 'mainL' - maintained left, 'momR' - momentary right, etc

# A01 SERIES

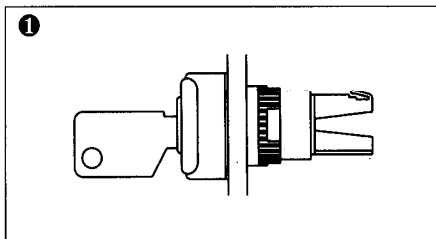
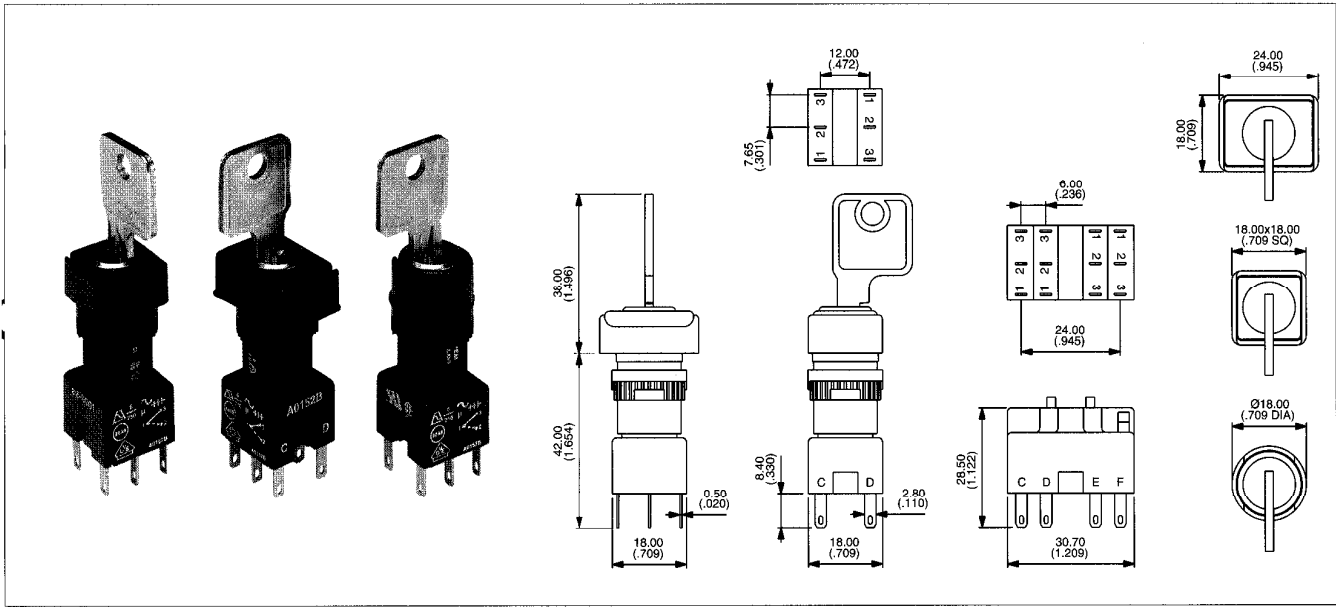
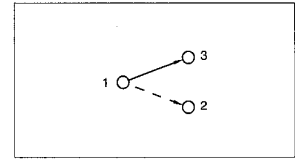
## KEYLOCK SWITCHES

Panel cut-out Ø 16 (.630)

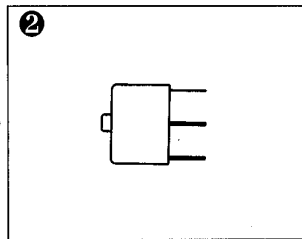
A keylock switch assembly requires :  
operator + switch block.

To order these elements, select desired model numbers from tables below.

**Example** : rectangular keyswitch, clockwise rotation, single pole, 2 positions, maintained = A018125 and A0151B.

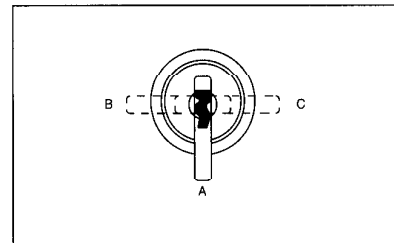


**Operator**



**Switch block**

### Key Positions



### • Key Rotation - 2 position switches

The model numbers shown are for switches with clockwise key rotation.

For anticlockwise rotation, replace :

- |    |      |    |
|----|------|----|
| 25 | with | 01 |
| 24 | with | 02 |
| 27 | with | 03 |
| 28 | with | 04 |

at the end of the model number.

2 standard keys are supplied.  
20 key barrel types available from stock.

| Bezel  | Description        | Part No. | Key removable | No. of poles | Part No. |
|--------|--------------------|----------|---------------|--------------|----------|
| 1 or 2 | 2 pos. maintained  | A018123  | A             | Single pole  | A0151B   |
| 1 or 2 | 2 pos. maintained  | A018125  | A-B           | Double pole  | A0152B   |
| 1 or 2 | 2 pos. momentary   | A018124  | A             | Three pole   | A0155B   |
| 3 or 4 | 2 pos. maintained  | A018127  | A-R           | Four pole    | A0153B   |
| 3 or 4 | 2 pos. momentary   | A018128  | A             |              |          |
| 1 or 2 | 3 pos. maintained  | A018105  | A-B-C         |              |          |
| 1 or 2 | 3 pos. momentary   | A018106  | A             |              |          |
| 1 or 2 | 3 pos. mainL, momR | A018107  | A-B           |              |          |
| 1 or 2 | 3 pos. momL, mainR | A018108  | A-C           |              |          |
| 1 or 2 | 2 pos. maintained  | A018223  | A             |              |          |
| 1 or 2 | 2 pos. maintained  | A018225  | A-B           |              |          |
| 1 or 2 | 2 pos. momentary   | A018224  | A             |              |          |
| 3 or 4 | 2 pos. maintained  | A018227  | A-B           |              |          |
| 3 or 4 | 2 pos. momentary   | A018228  | A             |              |          |
| 1 or 2 | 3 pos. maintained  | A018205  | A-B-C         |              |          |
| 1 or 2 | 3 pos. momentary   | A018206  | A             |              |          |
| 1 or 2 | 3 pos. mainL, momR | A018207  | A-B           |              |          |
| 1 or 2 | 3 pos. momL, mainR | A018208  | A-C           |              |          |
| 1 or 2 | 2 pos. maintained  | A018323  | A             |              |          |
| 1 or 2 | 2 pos. maintained  | A018325  | A-B           |              |          |
| 1 or 2 | 2 pos. momentary   | A018324  | A             |              |          |
| 3 or 4 | 2 pos. maintained  | A018327  | A-B           |              |          |
| 3 or 4 | 2 pos. momentary   | A018328  | A             |              |          |
| 1 or 2 | 3 pos. maintained  | A018305  | A-B-C         |              |          |
| 1 or 2 | 3 pos. momentary   | A018306  | A             |              |          |
| 1 or 2 | 3 pos. mainL, momR | A018307  | A-B           |              |          |
| 1 or 2 | 3 pos. momL, mainR | A018308  | A-C           |              |          |

Bezel: □ rectangular, □ square, ○ round, 'pos' - position, 'mainL' - maintained left, 'momR' - momentary right, etc

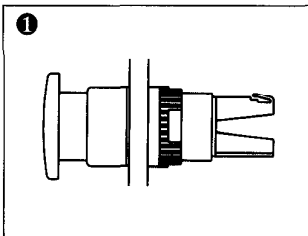
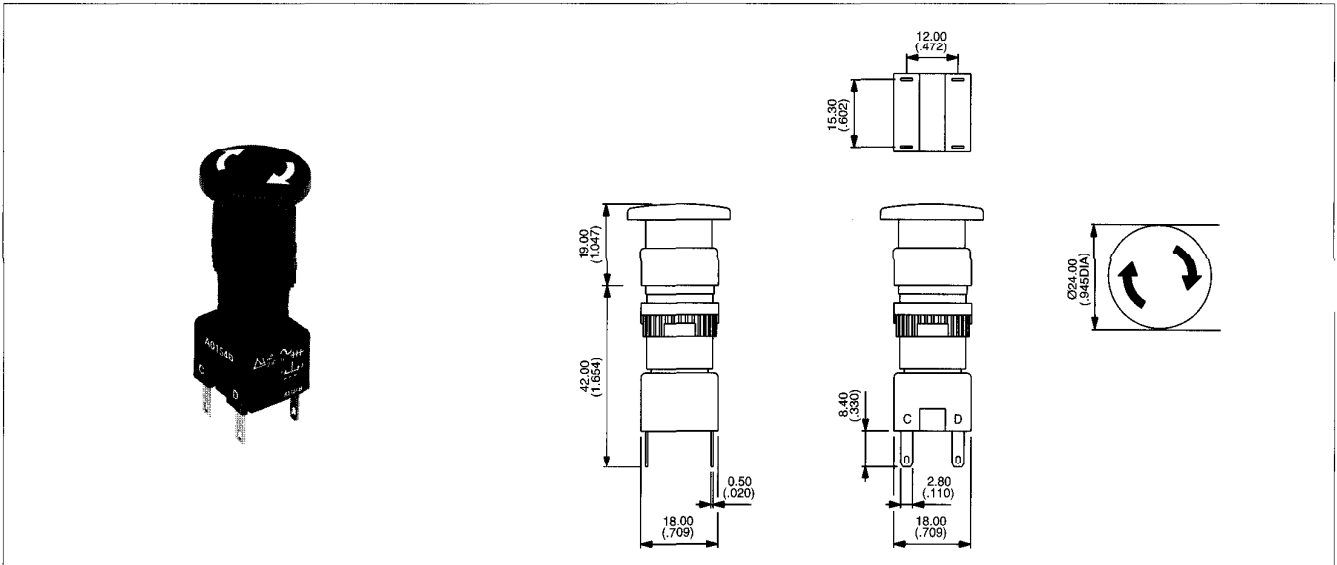
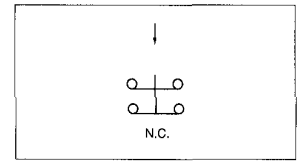
# A01 SERIES

## EMERGENCY STOP SWITCHES AND MUSHROOM HEAD PUSHBUTTONS

Panel cut-out Ø 16 (.630)

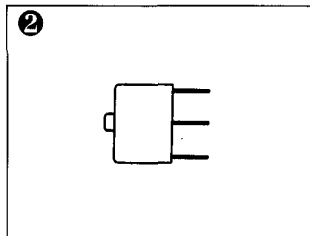
- Prominent Ø 24 mm (.944) dia. red mushroom actuator
- Highly reliable positive break switch
- Push to shut off switch, twist to reset to ON

An emergency stop switch assembly requires : operator + switch block.  
 To order, specify with single pole or double pole positive break switch block.  
 Approved to UL 1054 / EN 60947.



**Operator**

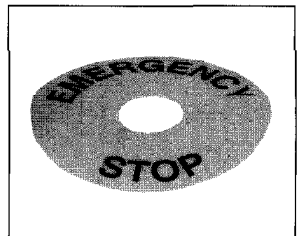
| Bezel | Description    | Part No |
|-------|----------------|---------|
| ○     | Emergency stop | A01ES   |



**Switch block**

| No of poles | Part No |
|-------------|---------|
| Single pole | A0150B  |
| Double pole | A0154B  |

**Accessory**



**60 Ø mm Self Adhesive Label**

| Description            | Part No |
|------------------------|---------|
| Yellow label with text | A01YL1  |
| Yellow label           | A01YL2  |

## MUSHROOM HEAD PUSHBUTTONS

**Operator**

| Bezel | Description               | Part No |
|-------|---------------------------|---------|
| ○     | Red momentary operator    | A01MMB  |
| ○     | Black momentary operator  | A01MMA  |
| ○     | Red maintained operator   | A01MXB  |
| ○     | Black maintained operator | A01MXA  |

**Switch block**

| No of poles | Part No |
|-------------|---------|
| Single pole | A0151B  |
| Double pole | A0152B  |
| Three pole  | A0155B  |
| Four pole   | A0153B  |

Momentary and maintained function mushroom head pushbutton actuators.

Momentary function version is unmarked.  
 (Mushroom head pushbuttons share the same dimensions as emergency stop switches).

For other colour variations, please contact APEM.

**Mushroom head pushbutton assembly requires :**  
 operator + switch block.

Bezel: ○ round.

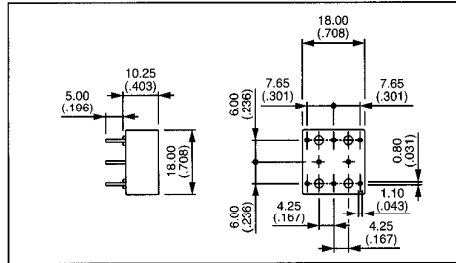
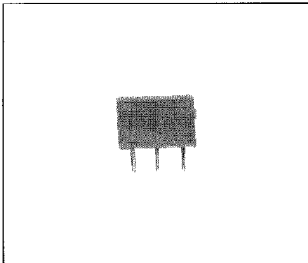


# A01 SERIES

## INDUSTRIAL CONTROLS

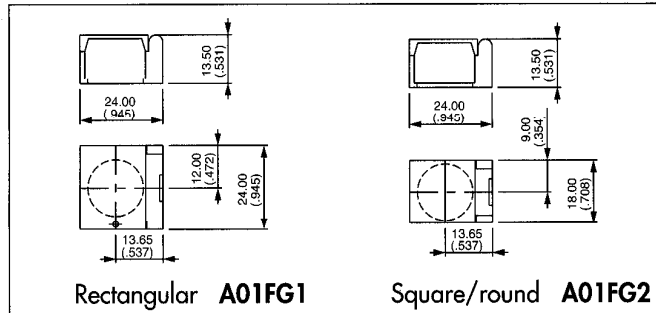
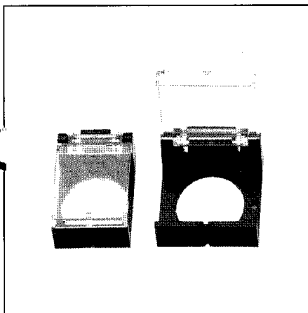
### Accessories

#### PCB SOCKET



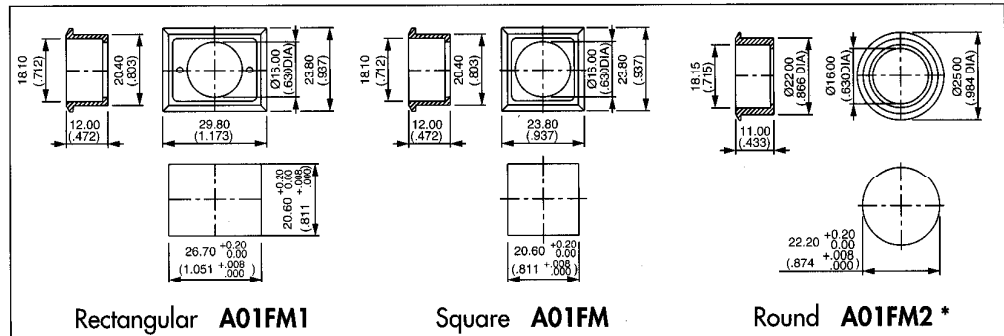
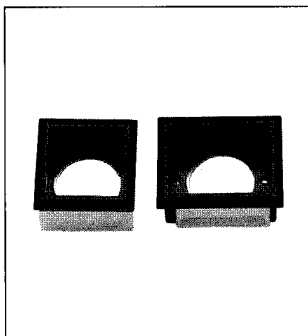
- Single pole, non illuminated    A01PC1
- Double pole, non illuminated    A01PC2
- Single pole, illuminated    A01PC3
- Double pole, illuminated    A01PC4
- Indicator    A01PC5

#### FLAPGUARDS

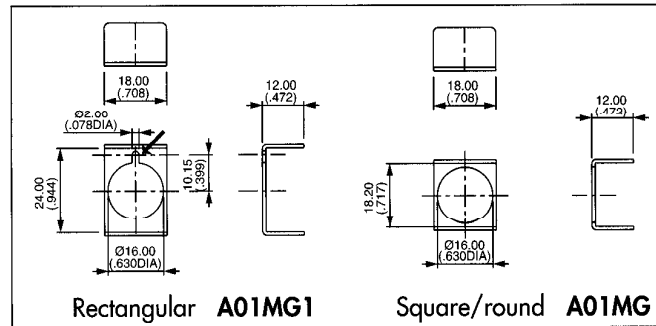
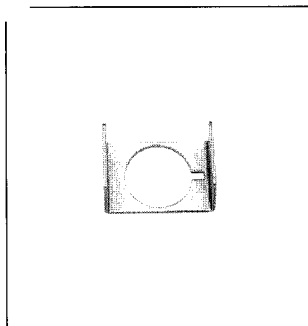


#### FLUSH MOUNTING BEZELS

Dark grey plastic material - supplied with sealing washer



#### METAL GUARDS

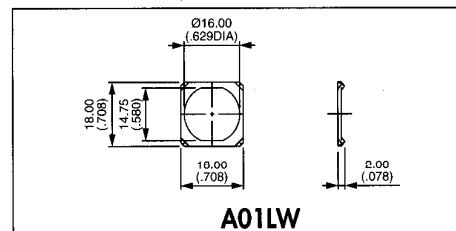
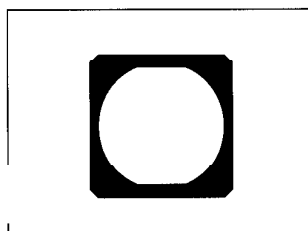


\* Metal versions of A01FM2 are :  
 - A01FMM anodized aluminium  
 - A01FM2MG matt black.

→ Slot as alternative to Ø 2 mm hole  
 Material : 1 mm thick aluminium

#### ANTI ROTATION RING

Recommended to prevent product rotation

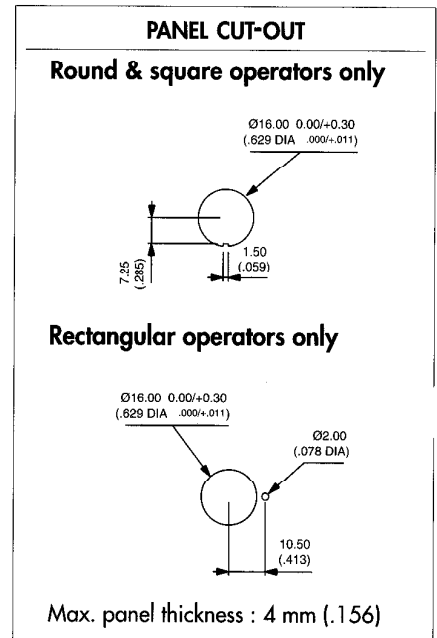
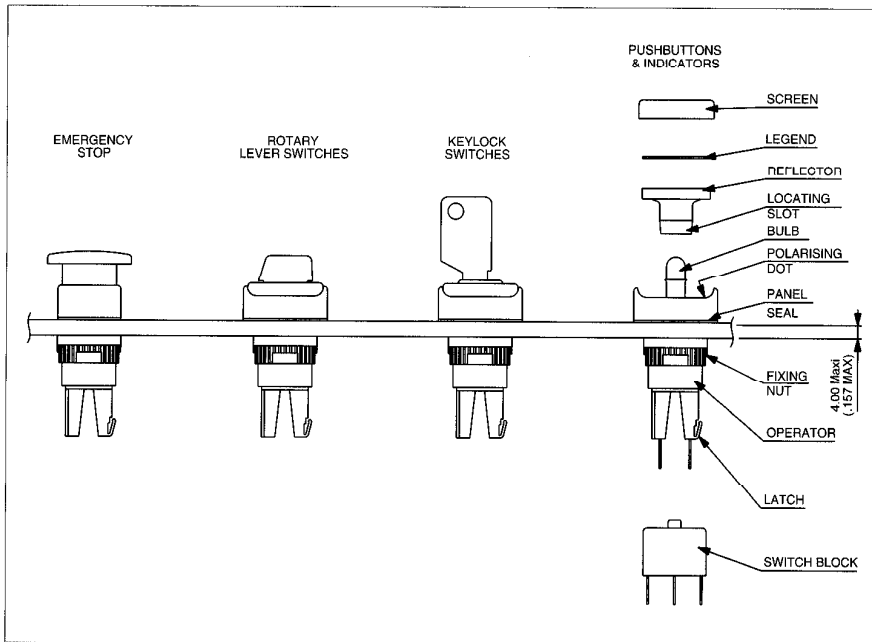


# A01 SERIES

## INDUSTRIAL CONTROLS

### Installation - tools

## Modular construction / panel mounting



### PANEL MOUNTING ASSEMBLY

- Drill/punch hole shaped as above.
- Assemble front operator through hole, fit fixing nut and tighten to a maximum torque of 0,8Nm using tool No 30-0001.
- Wire chosen switch block as required and slide onto operator until latch engages.
- Fit bulb if required using tool No 30-0002.
- Snap screen onto reflector assembly with legend in between if required and snap onto front operator TAKING CARE TO LINE UP THE LOCATING SLOT WITH THE POLARISING DOT, and not to damage the seal.

### TO REMOVE BULB

Remove reflector/screen assembly by inserting tool No 30-006 between the bezel finger guard and the screen to engage the slot and pulling. Use the bulb extractor to remove the bulb.

### SWITCH BLOCK

To assemble switch block to front operator, TAKE CARE TO LINE UP SWITCH BLOCK WITH FRONT OPERATOR. Once in position, slide on to front operator. NB : Ensure latch is fully engaged correctly onto the switch block.

To remove switch block, depress the latch and slide the switch block off the operator.

L

