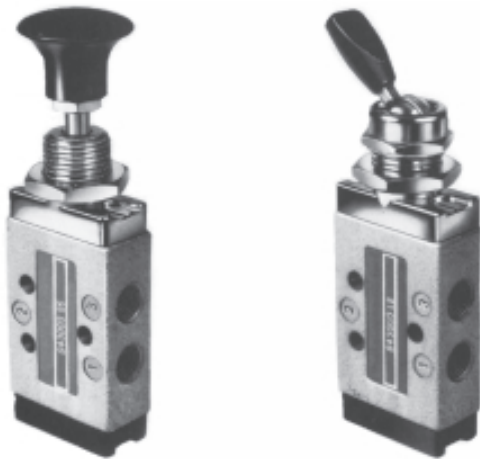
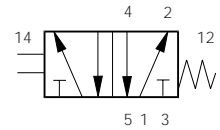
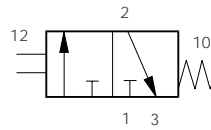


Directional control valves G¹/₈ 3/2 - 5/2

Manually operated valves



Symbol



Materials

Body	Zinc diecast
Actuator	Zinc diecast
Spool	Stainless steel
Bushes	Brass
Seals	Viton
Spring housing	Nylon

Technical information

Type	Spool valve
Style	Body ported
Port size	G ¹ / ₈
Mounting	Any plane
Temperature range	-10°C to +55°C

Pneumatic information

Pressure range	Vacuum to 10 bar
Minimum pilot pressure	3 bar
Nominal Ø	3,2mm
Nominal flow at 7 bar	7 dm ³ /s
Cv factor	0,24

Ordering information

Part nos.	Type	Actuator	Return	Symbol	Optional air pilot return
B43003BS	3/2	Button	Spring		
B43004BS	5/2	Button	Spring		
B43003HS	3/2	Button	Button		
B43004HS	5/2	Button	Button		
B43003LS	3/2	Lock down lever	Spring		
B43004LS	5/2	Lock down lever	Spring		

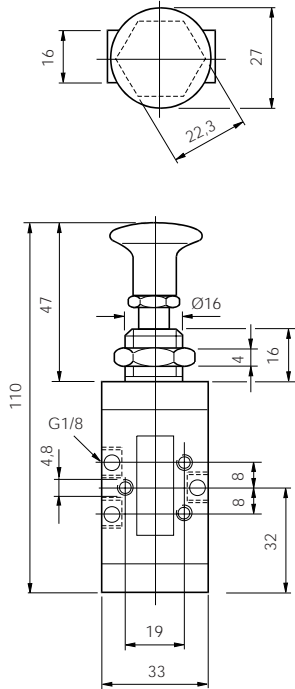
Note: All valves featured on this page are available with an air pilot return mechanism.

To order delete 'S' for spring and add 'P'. e.g. **B43003CP**
For dimensions of air pilot housing see page 3.

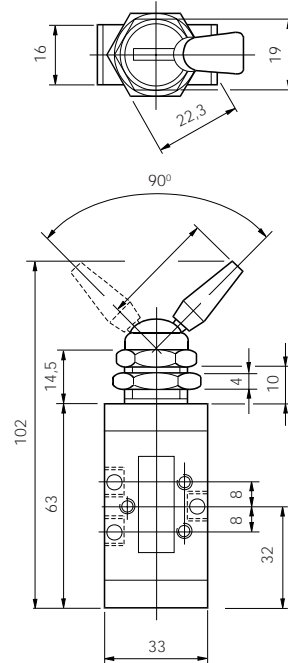
Directional control valves G¹/₈ 3/2 - 5/2

3/2 valve dimensions (mm)

Button operated
spring or button return

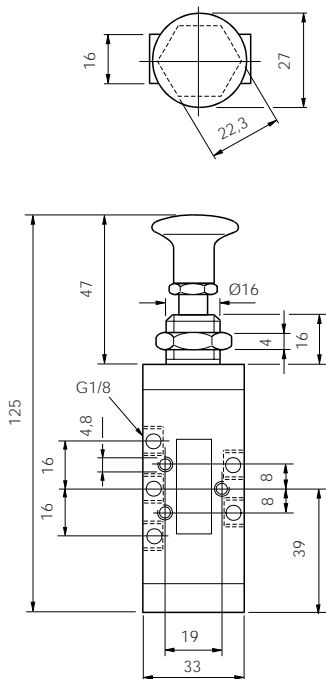


Lock down lever operated
spring return



5/2 valve dimensions (mm)

Button operated
spring or button return



Lock down lever operated
spring return

