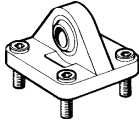


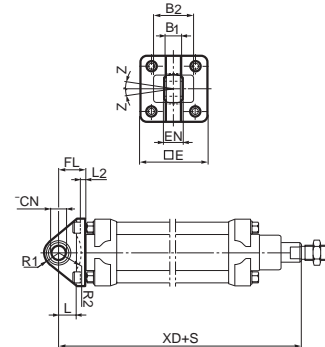
Cylinder mountings

Type	Description	Cyl. bore Ø mm	Weight kg	Order code
Swivel eye bracket 	Intended for use together with clevis bracket GA	32	0,20	P1C-4KMS
		40	0,30	P1C-4LMS
		50	0,50	P1C-4MMS
		63	0,70	P1C-4NMS
		80	1,20	P1C-4PMS
		100	1,60	P1C-4QMS
		125	1,80	P1C-4RMS
	Material Bracket: Surface-treated steel, black Swivel bearing acc. to DIN 648K: Hardened steel			
	Supplied complete with mounting screws for attachment to cylinder.			

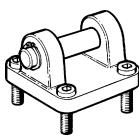
According to VDMA 24 562 T.2/13-, AFNOR

Cyl. bore mm	E	B1	B2	EN	R1	R2	FL	I2	L	CN	XD	Z
mm	mm	mm	mm	mm	mm	mm	mm	mm	mm	H7	mm	mm
32	45	10,5	-	14	16	-	22	5,5	12	10	142	4°
40	52	12	-	16	18	-	25	5,5	15	12	160	4°
50	65	15	51	21	21	19	27	6,5	15	16	170	4°
63	75	15	-	21	23	-	32	6,5	20	16	190	4°
80	95	18	-	25	29	-	36	10	20	20	210	4°
100	115	18	-	25	31	-	41	10	25	20	230	4°

S = Stroke length



Clevis bracket MP2



Intended for flexible mounting of cylinder. Clevis bracket MP2 can be combined with clevis bracket MP4.

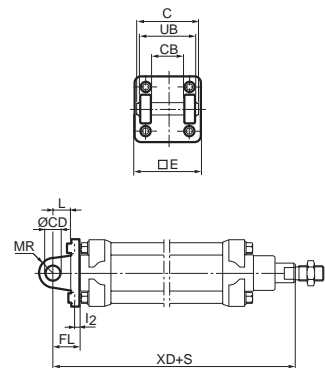
Materials
Clevis bracket: Surface-treated aluminium, black
Pin: Surface hardened steel
Circlips according to DIN 471: Spring steel
Mounting screws acc. to DIN 912: Zinc-plated steel 8.8

Supplied complete with mounting screws for attachment to cylinder.

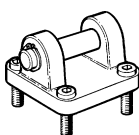
According to ISO MP2, VDMA 24 562 T.2/3-, AFNOR

Cyl. bore mm	C	E	UB	CB	FL	L	I2	CD	MR	XD
mm	mm	mm	h14	H14	±0,2	mm	mm	H9	mm	mm
32	53	45	45	26	22	13	5,5	10	10	142
40	60	52	52	28	25	16	5,5	12	12	160
50	68	65	60	32	27	16	6,5	12	12	170
63	78	75	70	40	32	21	6,5	16	16	190
80	98	95	90	50	36	22	10	16	16	210
100	118	115	110	60	41	27	10	20	20	230
125	139	140	130	70	50	30	10	25	25	275

S = Stroke length



Clevis bracket MP2 with stainless steel pin



Intended for flexible mounting of cylinder. Clevis bracket MP2 can be combined with clevis bracket MP4.

Materials
Clevis bracket: Surface-treated aluminium, black
Pin: Stainless steel
Circlips according to DIN 471: Stainless steel
Mounting screws acc. to DIN 912: Stainless steel
O-ring, NBR

Supplied complete with mounting screws for attachment to cylinder.

Dimensions acc. to MP2 above.

32	0,04	9301054371
40	0,10	9301054372
50	0,18	9301054373
63	0,25	9301054374
80	0,60	9301054375
100	0,70	9301054376
125	1,30	9301054377