

25000N Series

Miniature Slide Switches

SPECIFICATIONS

Contact ratings:
Gold; 0.4 Volt-Amps (VA) max. at 20 V max. (AC or DC)
Silver; 4 A at 125 VAC, 2 A at 250 VAC or 3 A at 30 VDC
Initial contact resistance: Gold; 50 milliohms max.
 Silver; 10 milliohms max.
Insulation resistance: 1000 megohms min. at 500 VDC
Dielectric strength: 1000 V rms min. between terms.
Electrical life: Gold; 20,000 cycles, Silver; 10,000 cycles
Operating temperature range: -40°C to +85°C
Solder heat resistance: 300°C max. for 5 seconds
Washing not recommended.

FEATURES

- **Molded-in terminals.**
- **.100" (2,54mm) and .200" (5,08mm) terminal spacing.**
- **Many additional models & options available (see page E51).**
- **Optional UL recognized & marked models available .**

MATERIALS

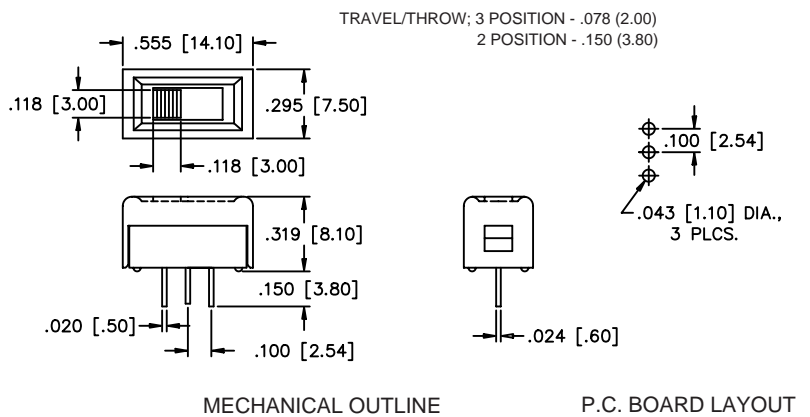
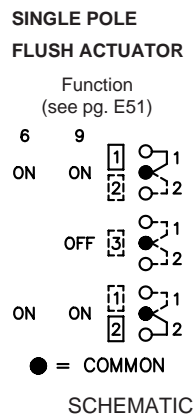
Contacts & terminals: Gold or silver available (see contact ratings)
Actuator and Cover: Glass filled polyamide
Case: PBT high temp. thermoplastic **Terminal seal:** Epoxy

SPECIFICATIONS SUBJECT TO CHANGE WITHOUT NOTICE

MODEL NO.	PLATING	ACTION
25136NLDB	Gold	on - on
25139NLDB	Gold	on off on
25136NAB	Silver	on - on
25139NAB	Silver	on off on



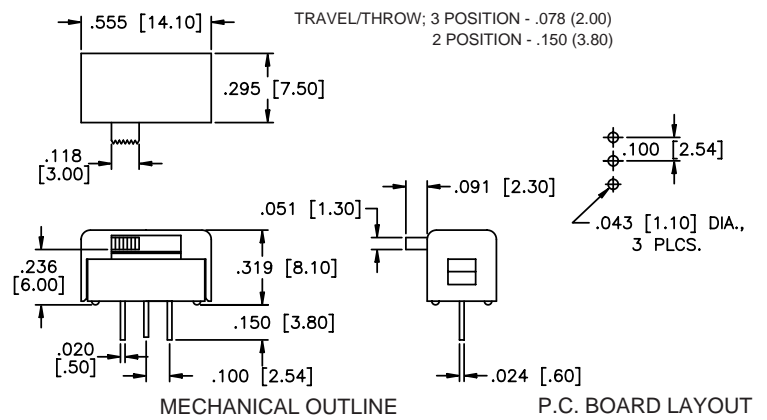
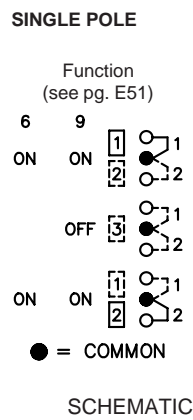
VERTICAL ACTUATOR



MODEL NO.	PLATING	ACTION
25336NLD	Gold	on - on
25339NLD	Gold	on off on
25336NA	Silver	on - on
25339NA	Silver	on off on



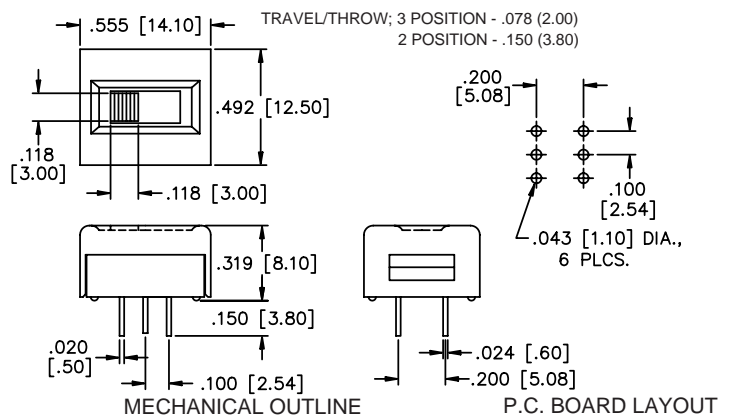
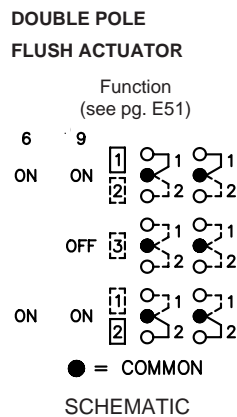
RIGHT ANGLE ACTUATOR



MODEL NO.	PLATING	ACTION
25146NLDB	Gold	on - on
25149NLDB	Gold	on off on
25146NAB	Silver	on - on
25149NAB	Silver	on off on



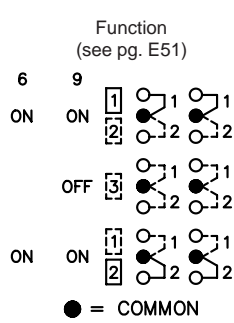

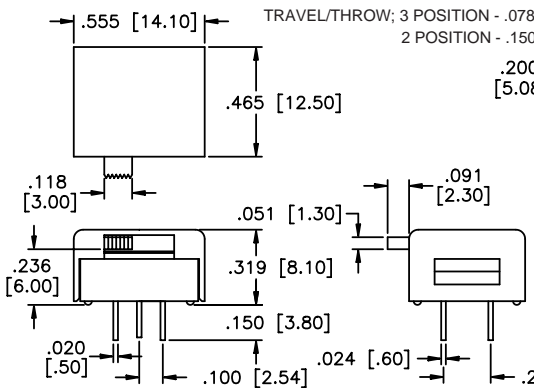
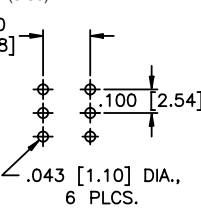
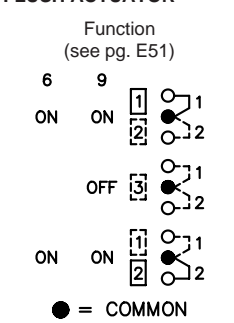

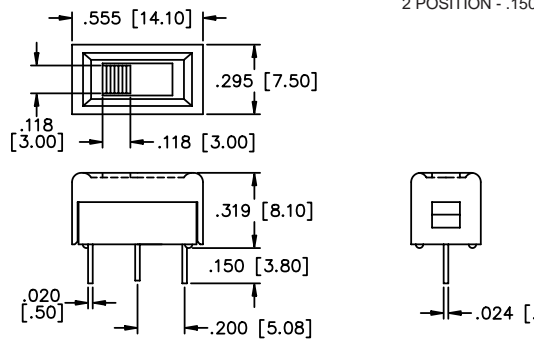
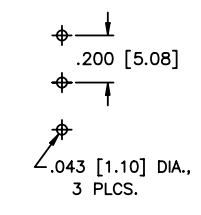
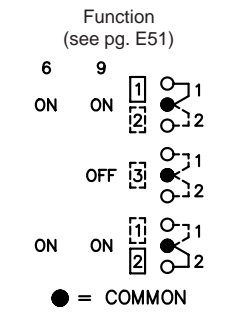

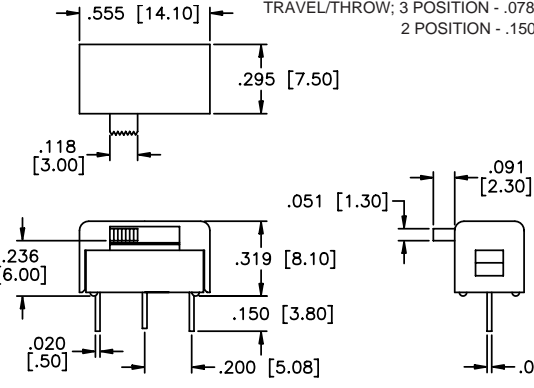
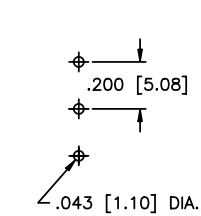
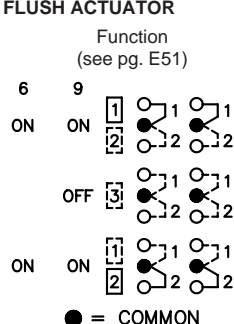

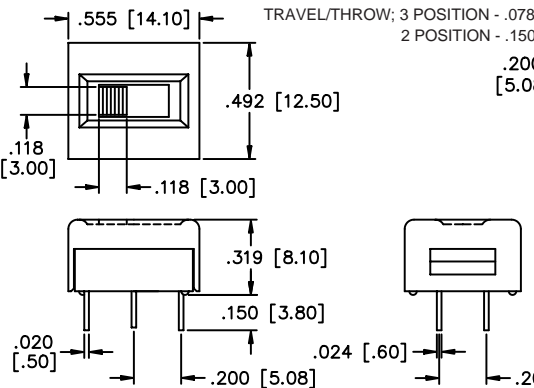
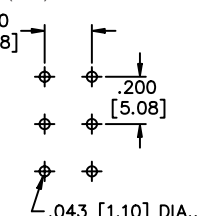
VERTICAL ACTUATOR



E

25000N Series

Miniature Slide Switches


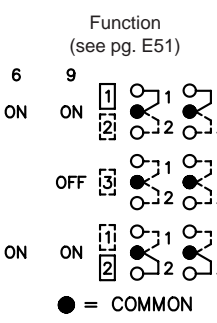
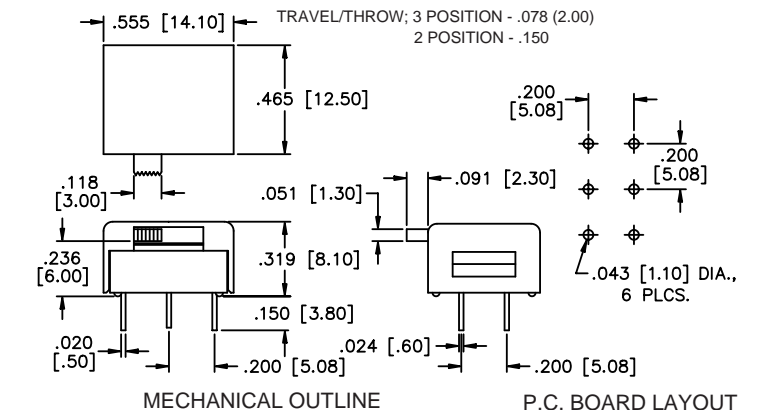

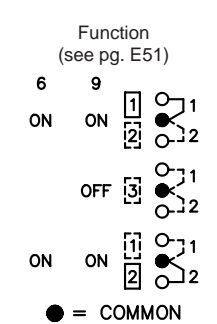
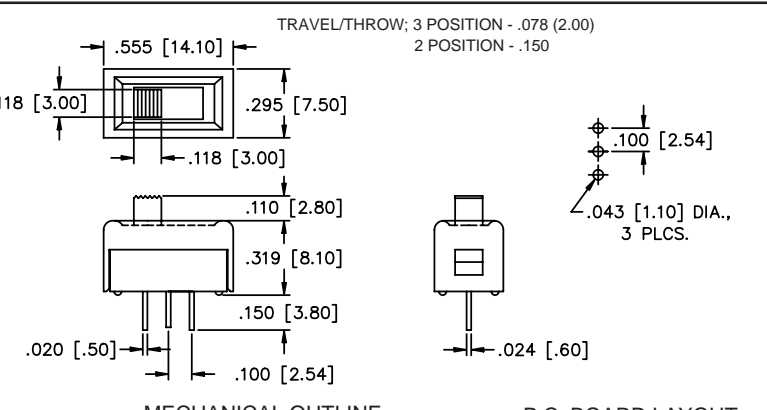

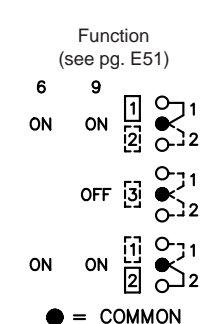
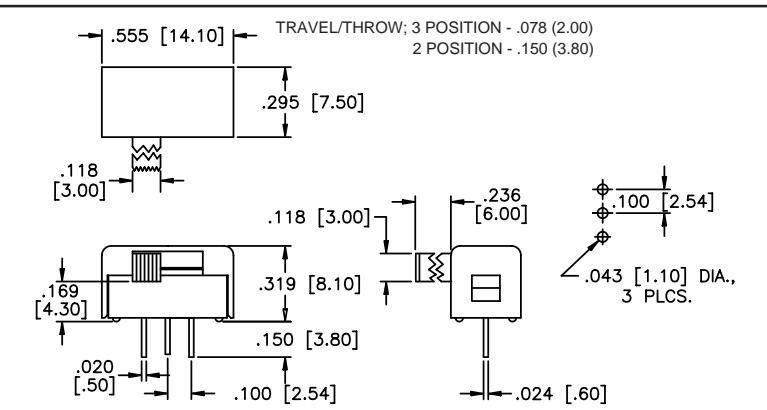

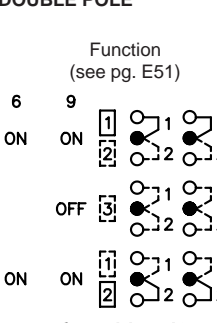
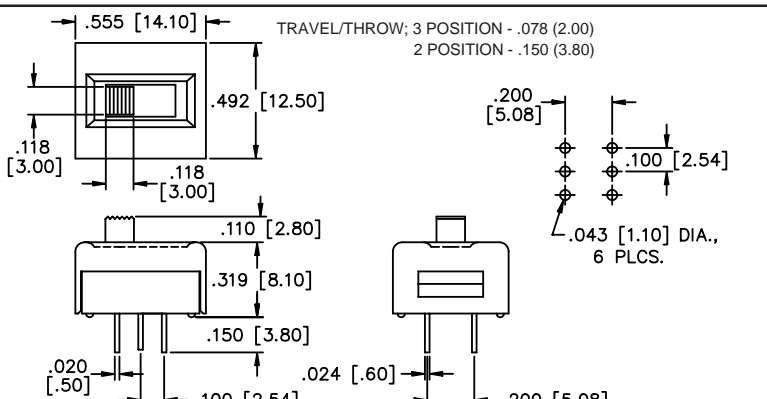
MODEL NO.	PLATING	ACTION	DOUBLE POLE			
25346NLD 25349NLD 25346NA 25349NA	Gold Gold Silver Silver	on - on on off on on - on on off on	DOUBLE POLE Function (see pg. E51)  ● = COMMON	 RIGHT ANGLE ACTUATOR	 MECHANICAL OUTLINE	 P.C. BOARD LAYOUT
25436NLDB 25439NLDB 25436NAB 25439NAB	Gold Gold Silver Silver	on - on on off on on - on on off on	SINGLE POLE FLUSH ACTUATOR Function (see pg. E51)  ● = COMMON	 VERTICAL ACTUATOR	 MECHANICAL OUTLINE	 P.C. BOARD LAYOUT
25536NLD 25539NLD 25536NA 25539NA	Gold Gold Silver Silver	on - on on off on on - on on off on	SINGLE POLE Function (see pg. E51)  ● = COMMON	 RIGHT ANGLE ACTUATOR	 MECHANICAL OUTLINE	 P.C. BOARD LAYOUT
25446NLDB 25449NLDB 25446NAB 25449NAB	Gold Gold Silver Silver	on - on on off on on - on on off on	DOUBLE POLE FLUSH ACTUATOR Function (see pg. E51)  ● = COMMON	 VERTICAL ACTUATOR	 MECHANICAL OUTLINE	 P.C. BOARD LAYOUT

SPECIFICATIONS SUBJECT TO CHANGE WITHOUT NOTICE

25000N Series

Miniature Slide Switches

SPECIFICATIONS SUBJECT TO CHANGE WITHOUT NOTICE





<table border="1"> <thead> <tr> <th>MODEL NO.</th> <th>PLATING</th> <th>ACTION</th> </tr> </thead> <tbody> <tr> <td>25546NLD</td> <td>Gold</td> <td>on - on</td> </tr> <tr> <td>25549NLD</td> <td>Gold</td> <td>on off on</td> </tr> <tr> <td>25546NA</td> <td>Silver</td> <td>on - on</td> </tr> <tr> <td>25549NA</td> <td>Silver</td> <td>on off on</td> </tr> </tbody> </table>  <p style="text-align: center;">RIGHT ANGLE ACTUATOR</p>	MODEL NO.	PLATING	ACTION	25546NLD	Gold	on - on	25549NLD	Gold	on off on	25546NA	Silver	on - on	25549NA	Silver	on off on	<p>DOUBLE POLE</p> <p>Function (see pg. E51)</p>  <p>● = COMMON</p> <p style="text-align: center;">SCHEMATIC</p>	<p>TRAVEL/THROW; 3 POSITION - .078 (2.00) 2 POSITION - .150</p>  <p style="text-align: center;">MECHANICAL OUTLINE P.C. BOARD LAYOUT</p>
MODEL NO.	PLATING	ACTION															
25546NLD	Gold	on - on															
25549NLD	Gold	on off on															
25546NA	Silver	on - on															
25549NA	Silver	on off on															
<table border="1"> <thead> <tr> <th>MODEL NO.</th> <th>PLATING</th> <th>ACTION</th> </tr> </thead> <tbody> <tr> <td>25136NLDH</td> <td>Gold</td> <td>on - on</td> </tr> <tr> <td>25139NLDH</td> <td>Gold</td> <td>on off on</td> </tr> <tr> <td>25136NAH</td> <td>Silver</td> <td>on - on</td> </tr> <tr> <td>25139NAH</td> <td>Silver</td> <td>on off on</td> </tr> </tbody> </table>  <p style="text-align: center;">VERTICAL ACTUATOR</p>	MODEL NO.	PLATING	ACTION	25136NLDH	Gold	on - on	25139NLDH	Gold	on off on	25136NAH	Silver	on - on	25139NAH	Silver	on off on	<p>SINGLE POLE</p> <p>Function (see pg. E51)</p>  <p>● = COMMON</p> <p style="text-align: center;">SCHEMATIC</p>	<p>TRAVEL/THROW; 3 POSITION - .078 (2.00) 2 POSITION - .150</p>  <p style="text-align: center;">MECHANICAL OUTLINE P.C. BOARD LAYOUT</p>
MODEL NO.	PLATING	ACTION															
25136NLDH	Gold	on - on															
25139NLDH	Gold	on off on															
25136NAH	Silver	on - on															
25139NAH	Silver	on off on															
<table border="1"> <thead> <tr> <th>MODEL NO.</th> <th>PLATING</th> <th>ACTION</th> </tr> </thead> <tbody> <tr> <td>25336NLD6</td> <td>Gold</td> <td>on - on</td> </tr> <tr> <td>25339NLD6</td> <td>Gold</td> <td>on off on</td> </tr> <tr> <td>25336NA6</td> <td>Silver</td> <td>on - on</td> </tr> <tr> <td>25339NA6</td> <td>Silver</td> <td>on off on</td> </tr> </tbody> </table>  <p style="text-align: center;">RIGHT ANGLE ACTUATOR</p>	MODEL NO.	PLATING	ACTION	25336NLD6	Gold	on - on	25339NLD6	Gold	on off on	25336NA6	Silver	on - on	25339NA6	Silver	on off on	<p>SINGLE POLE</p> <p>Function (see pg. E51)</p>  <p>● = COMMON</p> <p style="text-align: center;">SCHEMATIC</p>	<p>TRAVEL/THROW; 3 POSITION - .078 (2.00) 2 POSITION - .150 (3.80)</p>  <p style="text-align: center;">MECHANICAL OUTLINE P.C. BOARD LAYOUT</p>
MODEL NO.	PLATING	ACTION															
25336NLD6	Gold	on - on															
25339NLD6	Gold	on off on															
25336NA6	Silver	on - on															
25339NA6	Silver	on off on															
<table border="1"> <thead> <tr> <th>MODEL NO.</th> <th>PLATING</th> <th>ACTION</th> </tr> </thead> <tbody> <tr> <td>25146NLDH</td> <td>Gold</td> <td>on - on</td> </tr> <tr> <td>25149NLDH</td> <td>Gold</td> <td>on off on</td> </tr> <tr> <td>25146NAH</td> <td>Silver</td> <td>on - on</td> </tr> <tr> <td>25149NAH</td> <td>Silver</td> <td>on off on</td> </tr> </tbody> </table>  <p style="text-align: center;">VERTICAL ACTUATOR</p>	MODEL NO.	PLATING	ACTION	25146NLDH	Gold	on - on	25149NLDH	Gold	on off on	25146NAH	Silver	on - on	25149NAH	Silver	on off on	<p>DOUBLE POLE</p> <p>Function (see pg. E51)</p>  <p>● = COMMON</p> <p style="text-align: center;">SCHEMATIC</p>	<p>TRAVEL/THROW; 3 POSITION - .078 (2.00) 2 POSITION - .150 (3.80)</p>  <p style="text-align: center;">MECHANICAL OUTLINE P.C. BOARD LAYOUT</p>
MODEL NO.	PLATING	ACTION															
25146NLDH	Gold	on - on															
25149NLDH	Gold	on off on															
25146NAH	Silver	on - on															
25149NAH	Silver	on off on															

E

25000N Series

Miniature Slide Switches

E

MODEL NO.	PLATING	ACTION	DOUBLE POLE	MECHANICAL OUTLINE	P.C. BOARD LAYOUT
25346NLD6 25349NLD6 25346NA6 25349NA6	Gold Gold Silver Silver	on - on on off on on - on on off on	<p>Function (see pg. E51)</p> <p>● = COMMON</p>	<p>TRAVEL/THROW; 3 POSITION - .078 (2.00) 2 POSITION - .150</p>	
 <p>RIGHT ANGLE ACTUATOR</p>			SCHEMATIC	MECHANICAL OUTLINE	P.C. BOARD LAYOUT
25436NLDH 25439NLDH 25436NAH 25439NAH	Gold Gold Silver Silver	on - on on off on on - on on off on	<p>Function (see pg. E51)</p> <p>● = COMMON</p>	<p>TRAVEL/THROW; 3 POSITION - .078 (2.00) 2 POSITION - .150</p>	
 <p>VERTICAL ACTUATOR</p>			SCHEMATIC	MECHANICAL OUTLINE	P.C. BOARD LAYOUT
25536NLD6 25539NLD6 25536NA6 25539NA6	Gold Gold Silver Silver	on - on on off on on - on on off on	<p>Function (see pg. E51)</p> <p>● = COMMON</p>	<p>TRAVEL/THROW; 3 POSITION - .078 (2.00) 2 POSITION - .150 (3.80)</p>	
 <p>RIGHT ANGLE ACTUATOR</p>			SCHEMATIC	MECHANICAL OUTLINE	P.C. BOARD LAYOUT
25446NLDH 25449NLDH 25446NAH 25449NAH	Gold Gold Silver Silver	on - on on off on on - on on off on	<p>Function (see pg. E51)</p> <p>● = COMMON</p>	<p>TRAVEL/THROW; 3 POSITION - .078 (2.00) 2 POSITION - .150 (3.80)</p>	
 <p>VERTICAL ACTUATOR</p>			SCHEMATIC	MECHANICAL OUTLINE	P.C. BOARD LAYOUT

SPECIFICATIONS SUBJECT TO CHANGE WITHOUT NOTICE

25000N Series Miniature Slide Switches

SPECIFICATIONS SUBJECT TO CHANGE WITHOUT NOTICE

MODEL NO.	PLATING	ACTION	DOUBLE POLE		
25546NLD6	Gold	on - on	<p>Function (see pg. below)</p>		<p>TRAVEL/THROW; 3 POSITION - .078 (2.00) 2 POSITION - .150 (3.80)</p>
25549NLD6	Gold	on off on			
25546NA6	Silver	on - on			
25549NA6	Silver	on off on			
<p>RIGHT ANGLE ACTUATOR</p>			SCHEMATIC	MECHANICAL OUTLINE	P.C. BOARD LAYOUT

Additional ordering information: Commonly ordered models are shown above and on preceding pages with complete model numbers and specifications. Below is an order format that enables you to 'build your own switch' and specify the correct switch model number by simply selecting from all available options shown and filling in the boxes.

'BUILD YOUR OWN SWITCH' ORDER FORMAT

Fill in boxes shown with options selected from below.
* Allowable options for each box are shown under each respective box.

Series	Actuator/ Term. Spacing	Poles	Functions	Version	Contact & Term. Mat'l.	Actuators	Approvals
<input type="text" value="2"/> <input type="text" value="5"/>	<input type="text" value="1"/>	<input type="text" value="3"/>	<input type="text" value="6"/>	<input type="text" value="N"/>	<input type="text" value="A"/> <input type="text" value="L"/> <input type="text" value="D"/>	<input type="text" value="B"/> <input type="text" value="H"/> <input type="text" value="6"/> <input type="text" value="6"/>	<input type="text" value="X"/> <input type="text" value="6"/> <input type="text" value="9"/> <input type="text" value="3"/> <input type="text" value="U"/> <input type="text" value="L"/>
	<input type="text" value="4"/> <input type="text" value="3"/> <input type="text" value="5"/>						<p>(NONE)</p>

* If a single suffix selection is chosen from the **Contact & Term. Mat'l.** or **Actuator** categories above, eliminate the extra box.

Actuator/terminal spacing: Dimensions in inches and millimeters.
 1 = Vertical actuator and .100" (2.54mm) terminal spacing
 4 = Vertical actuator and .200" (5.08mm) terminal spacing
 3 = Side actuator and .100" (2.54mm) terminal spacing
 5 = Side actuator and .200" (5.08mm) terminal spacing

Poles: 3 = Single Pole 4 = Double Pole

Functions: 6 = ON - ON 9 = ON OFF ON

Version: N = Version specification (Specify for all models)

Contact & terminal materials: See contact ratings under "specifications". A = Silver LD = Gold plated brass

Actuators: Dimensions in inches and millimeters.
 B = Flush vertical actuator
 H = Vertical actuator .110" (2.80mm) high
 H6 = Vertical actuator .236" (6.00mm) high
 6 = Side actuator .236" (6.00mm) long
Note: If **Actuator** boxes are not used, a side actuator .090" (2.30mm) long will be supplied.

Approvals: X693UL = Switches recognized and marked UL - silver (A) contacts only.