

Lift- and Turn Latch

Steel, zinc and passivate

for double walled doors, to fix with blind rivets, setting range for the tongue 25 mm each shaft length, width 7 mm, turnable 4 x 90°

- a) unlockable
- b) with locking system formed as T - screw

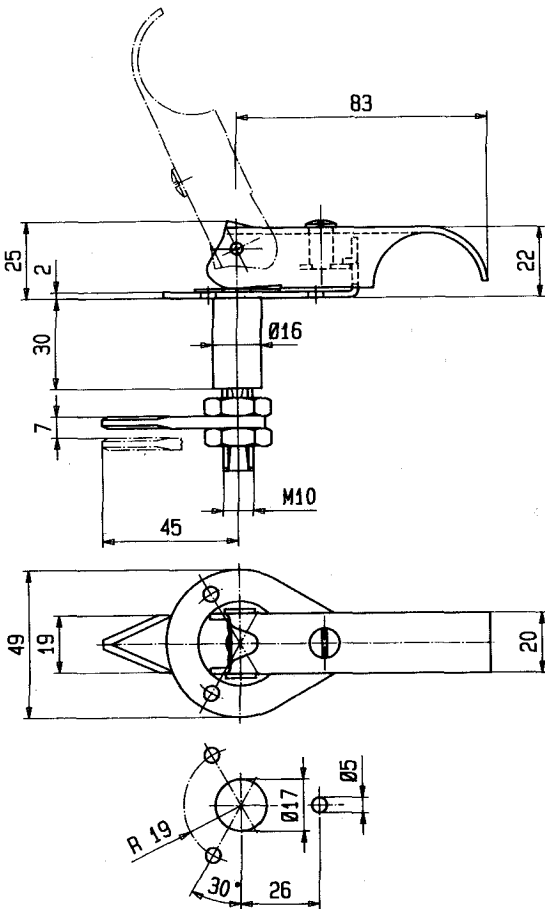
panel thickness
from - up to mm

No.

37 - 60	unlockable	0.28.0500.0
	lockable	0.28.0510.0
55 - 80	unlockable	0.28.0502.0
	lockable	0.28.0512.0
75 - 100	unlockable	0.28.0504.0
	lockable	0.28.0514.0
95 - 120	unlockable	0.28.0506.0
	lockable	0.28.0516.0

The locks will be delivered with straight tongue.
Further tongues see page 41.

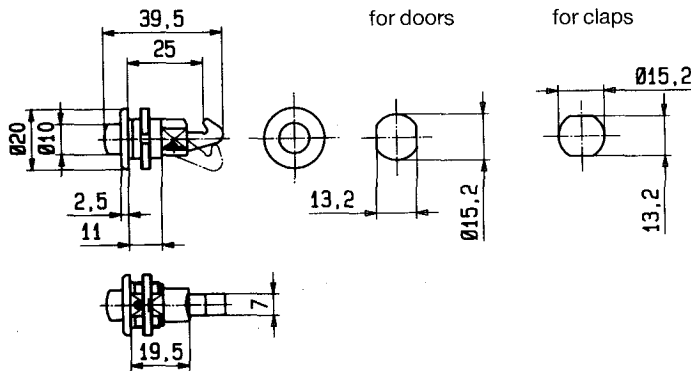
Rust proof variants as special execution with economic ordering quantities.



panel hole preparation

for doors

for claps



Snap-in latch

Zinc die-cast / chrome plated

No.

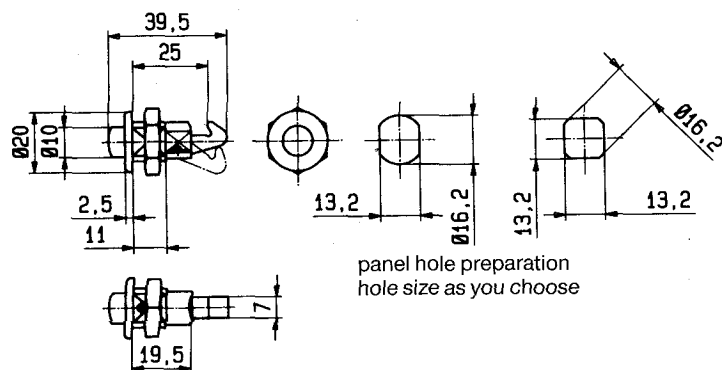
0.32.0642.0

Snap-in latch

Strong version
Zinc die-cast / chrome plated

No.

0.32.0641.0



panel hole preparation
hole size as you choose