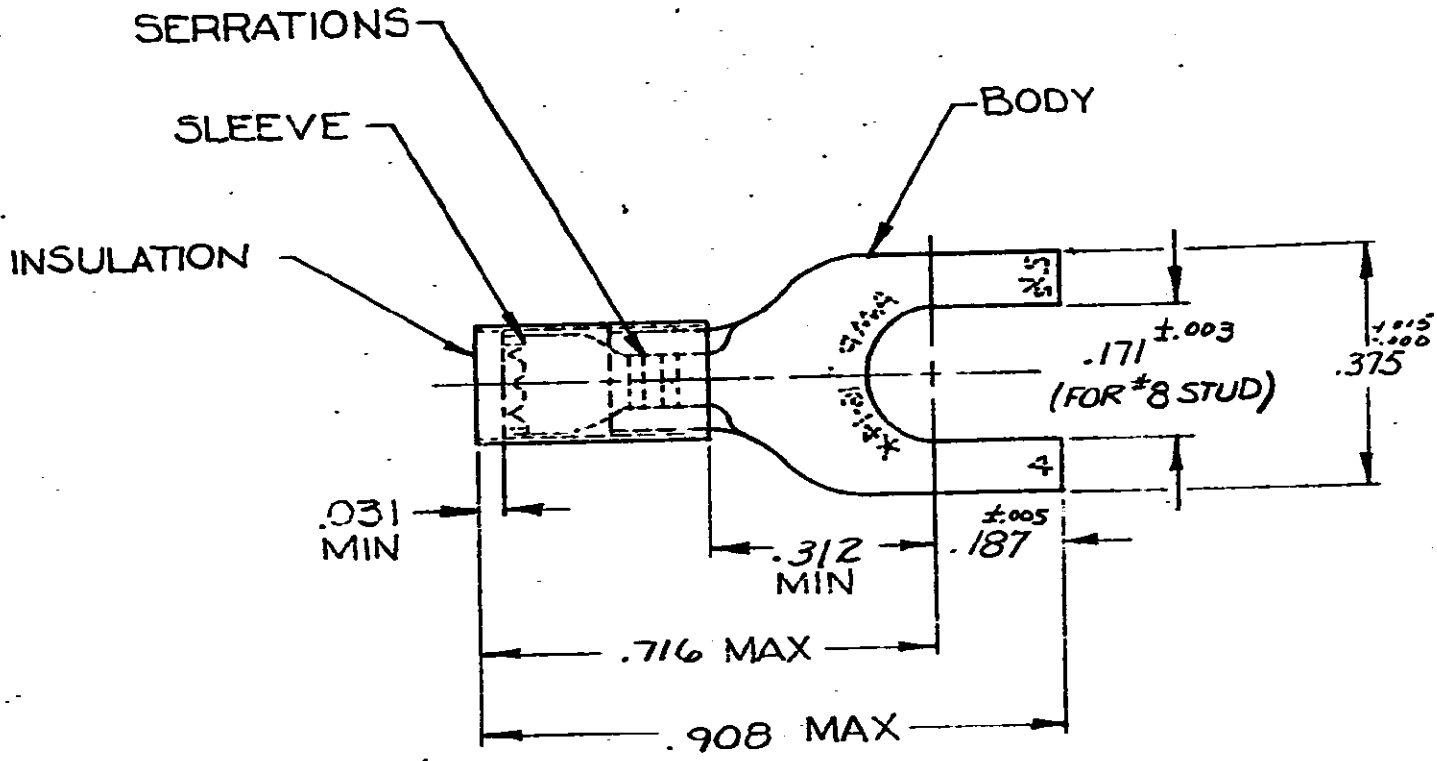


DRAWING MADE IN AMERICAN PROJECTION

© 1955 BY AMP INCORPORATED. ALL RIGHTS RESERVED. AMP PRODUCTS COVERED BY PATENTS AND/OR PATENTS PENDING.

REVISIONS			
LTR	DESCRIPTION	DATE	APPROVED
A	REDRAWN, REVISED, ADDED TAPE NO P-4079 ^{1st}	3-16-70	FCY
B	REV PER G-4732	5/12/88	PC
C	REV/0720-0032-93	LO 2193	ME



100	LOOSE PC, BOX	8-32056-1	
1	32056 ON TAPE	2-32056-1	BODY: COPPER (QQ-C-576) TIN PL (MIL-T-10727)
1	WIRE TERMINAL	32056	SLEEVE: COPPER (QQ-C-576) INSULATION: NYLON COLOR: BLUE
QTY	DESCRIPTION	PART NO	MATERIAL & FINISH
UNLESS OTHERWISE SPECIFIED DIMENSIONS ARE IN INCHES TOLERANCES ON: DECIMALS ±.008 ANGLES ± 5°		CONTRACT NO. #	AMP INCORPORATED HARRISBURG, PENNSYLVANIA
MATERIAL		DR. <i>W. E. Emmerling</i> 3-12-70 CHK. <i>P. J. ...</i> 3-16-70 APPD. <i>W. ...</i> 3-16-70 REL. <i>P. J. ...</i> 3-17-70 DSGN APPD. OTHER APPD.	
SEE TABLE		SIZE A	CODE IDENT NO. 00779
		SCALE NTS	NUMBER 32056
		SHEET 1 OF 1 CUSTOMER DRAWING	