

# Druck DPI 705 Digital Pressure Indicator Calibration Instructions



The instrument performs a two-point compensation at ZErO and FS (full-scale.)

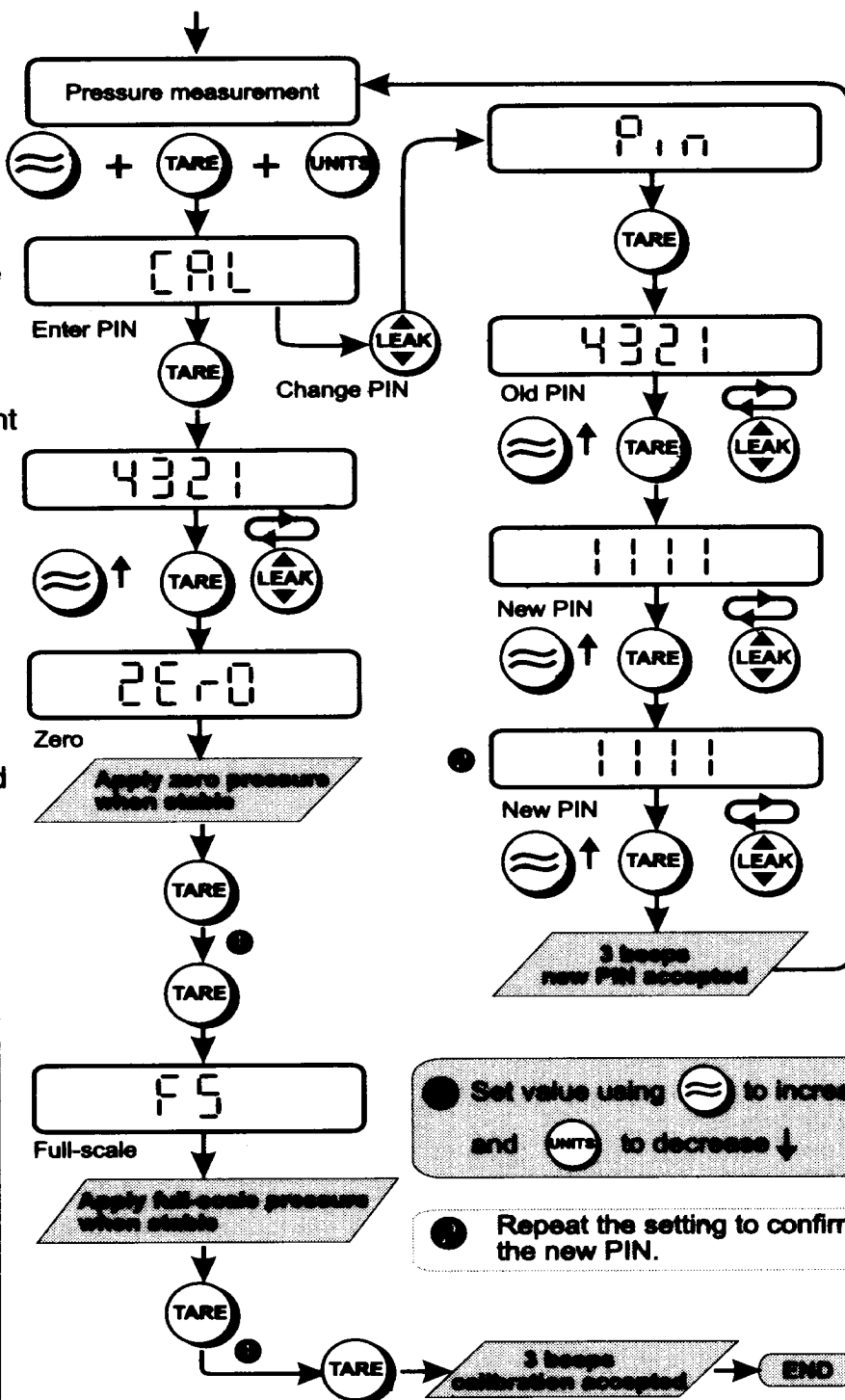
## Preparation

1. Connect the instrument to a pressure source that has an accuracy three times better than the instrument.  
Recommended:-  
Druck DPI 610 Portable Calibrator.

2. Switch on the instrument and select the units of pressure measurement required for calibration.

## Procedure

1. Press all three keys together to enter the CAL menu and proceed as shown:



### Changing the PIN

Each digit can be changed in turn.

Pressing:

increases the value of the digit.

steps to next digit, left to right.

enters the PIN

● Set value using to increase ↑ and to decrease ↓

● Repeat the setting to confirm the new PIN.

Druck Limited, Fir Tree Lane, Groby, Leicester, LE6 0FH, England

Tel: +44 (0) 116 231 7100

Email: sales@druck.com

Fax: +44 (0) 116 231 7103

Internet <http://www.druck.com>