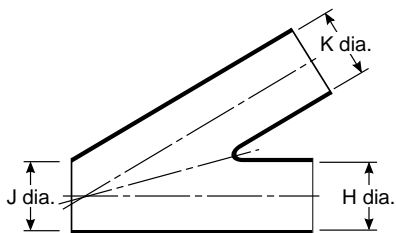
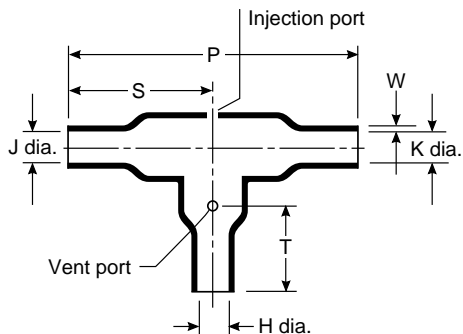


### T Transition

As supplied (a)



After unrestricted recovery (b)



### Applications

Provides strain relief and mechanical protection on cable harness assemblies.

### Materials Available

Material	Material description	Precoating no.	Adhesive part no.
-3	Semirigid polyolefin	/42 or /86 or /180	S-1017 or S-1048 or S-1030
-4	Flexible polyolefin	/42 or /86 or /180	S-1017 or S-1048 or S-1030
-5	Flexible elastomer		
-12	VITON®		
-25	Fluid-resistant elastomer	/42 or /86	S-1017 or S-1048

### Product Dimensions (inches (millimeters))

Part number	H, J & K		P	S	T	W
	Min. a	Max. b	±10% b	±10% b	±10% b	±30% b
301A011	.26 (6.6)	.14 (3.6)	1.17 (29.7)	.59 (15.1)		.04 (1.02)
302A022	.52 (13.2)	.27 (6.9)	2.31 (58.7)	1.16 (29.5)	.69 (17.5)	.06 (1.52)
301A034	1.06 (26.9)	.53 (13.5)	4.73 (120.1)	2.37 (60.2)	1.40 (35.6)	.09 (2.29)
301A048	2.19 (55.6)	1.19 (30.2)	9.70 (246.4)	4.85 (123.2)	2.79 (70.9)	.12 (3.05)

Thermofit is a registered trademark of Raychem Corporation.  
VITON is a registered trademark of E. I. du Pont de Nemours & Co., Inc.